

FLEXIDOME AN outdoor 4000

www.boschsecurity.com



BOSCH
Invented for life



- ▶ Ultra high resolution 960H (1/3") sensor
- ▶ Digital extended dynamic range
- ▶ Digital noise reduction
- ▶ Easy installation with 3-axis adjustment
- ▶ Four programmable privacy zones

These outdoor domes are compact, stylish surveillance cameras that offer excellent resolution in variable lighting conditions. The high performance 960H 1/3-inch CCD sensor provides a resolution of 720TVL. The water resistant (IP66 rated) and vandal resistant (IK8 rated) housing ensures reliable video surveillance in a variety of indoor and outdoor applications. The Day/Night version ensures the highest image quality possible at any time by automatically switching from color to monochrome.

The camera is easy to install and can be adjusted around 3 axes. Privacy zones and motion detection functions can be set up in the handy camera menu system.

Certifications and approvals

Standards

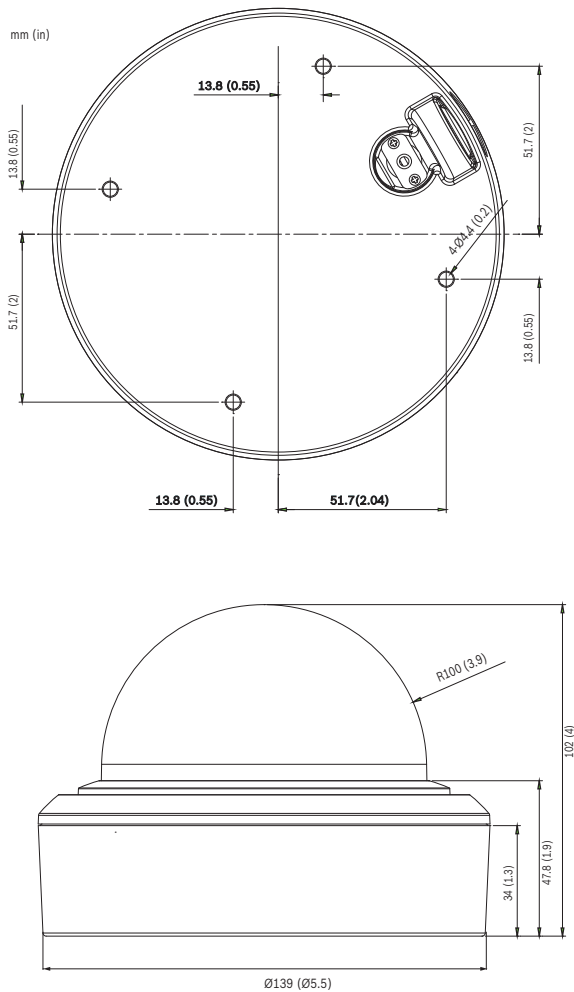
FCC Part 15:2013
EN61000-3-2:2014
EN61000-3-3:2013
EN55024:2010
EN50130-4:2011

EN55022:2010
EN60950-1:2006 + A11:2009 + A1:2010 + A12:2011 + A2:2013
UL 60950-1, 2nd Edition. 2014-10-14
CAN/CSA-C22.2 No. 60950-1-07, 2nd Edition, 2014-10
C-tick

Ingress protection	IP66
Impact protection	IK08

Region	Certification	
Europe	CE	VDx_242_244
USA	UL	Bosch UL online certification
Canada	ULC	Bosch UL online certification

Installation/configuration notes



Technical specifications

System	PAL or NTSC
Effective pixels (H x V)	976 x 582 (PAL) 976 x 494 (NTSC)
Image Sensor	960H, 1/3" CCD, sensor resolution 720TVL
Video Output	Composite: 1 Vpp, 75 Ohm
Sync. System	Internal sync., Line-lock
S/N Ratio (AGC off)	50 dB min.
Sensitivity (F1.2, 50IRE, AGC max.)	
Day/Night Camera (VDN)	0.12 lx (color) 0.07 lx (B/W)
Color Camera (VDC)	0.12 lx (color, BW)
Manual shutter	1/50 – 1/10,000 (PAL) 1/60 – 1/10,000 (NTSC)

Digital Noise reduction	2DNR
White Balance	ATW, Push, User1, User2, Anti CR, Manual, Push lock
Light compensation	OFF/BLC/HLC
Adaptive Tone Reproduction	On, Off
AGC	Auto: Off, 37 dB Manual: 6 to 44.8 dB
Digital WDR	Off/On (36 dB)
Day/Night	Auto, Color, B/W
Burst	On, Off
Motion detection	On, Off (4 programmable zones)
Privacy	On, Off (4 programmable zones)
Mirror	On (horizontal), Off
Sharpness	0 - 255
Gamma	0.45
OSD language	English, Japanese, German, French, Russian, Portuguese, Spanish, Simplified Chinese
Lens type	Varifocal DC Iris f=2.8 to 12 mm
Dimensions (ØxH)	139 mm x 102 mm
Weight	0.6 kg
Supply Voltage	24 VAC (±10%) 12 VDC (±10%)
Power Consumption	3.6 W max. / 0.3 A
Operating Temperature	-10 °C to +50 °C (14 °F to +122 °F)
Storage Temperature	-20 °C to +60 °C (-4 °F to +140 °F)
Storage Humidity	20% to 90% RH

Ordering information

FLEXIDOME AN outdoor 4000

960H analog outdoor color dome camera. IP66; IK08; 12VDC/24VAC; DWDR; varifocal 2.8 to 12 mm lens; electronic day/night; 720 TVL; 3-axis adjustment; 4-zone motion detect; 4-zone privacy mask; PAL
Order number **VDC-242V03-1**

FLEXIDOME AN outdoor 4000

960H analog outdoor color dome camera. IP66; IK08; 12VDC/24VAC; DWDR; varifocal 2.8 to 12 mm lens; electronic day/night; 720 TVL; 3-axis adjustment; 4-zone motion detect; 4-zone privacy mask; NTSC
Order number **VDC-242V03-2**

Accessories

VDA-WMT-AODOME Outdoor Wall Mount

Sturdy outdoor wall mount bracket for dome cameras (Ø166 mm)

Order number **VDA-WMT-AODOME**

VDA-PMT-AODOME Outdoor Pipe Mount

Sturdy outdoor pipe mount bracket for dome cameras (Ø166 mm)

Order number **VDA-PMT-AODOME**

LTC 9213/01 Pole Mount Adapter

Flexible pole mount adapter for camera mounts (use together with the appropriate wall mount bracket). Max. 9 kg (20 lb); 3 to 15 inch diameter pole; stainless steel straps

Order number **LTC 9213/01**

VDA-CMT-PTZDOME Corner Mount Adapter

Corner mount adapter for use with the appropriate wall mount to attach a camera onto an indoor or outdoor pole (mast)

Order number **VDA-CMT-PTZDOME**

Represented by:

North America:

Bosch Security Systems, Inc.
130 Perinton Parkway
Fairport, New York, 14450, USA
Phone: +1 800 289 0096
Fax: +1 585 223 9180
security.sales@us.bosch.com
www.boschsecurity.us

Europe, Middle East, Africa:

Bosch Security Systems B.V.
P.O. Box 80002
5617 BA Eindhoven, The Netherlands
Phone: + 31 40 2577 284
Fax: +31 40 2577 330
emea.securitysystems@bosch.com
www.boschsecurity.com

Asia-Pacific:

Robert Bosch (SEA) Pte Ltd, Security Systems
11 Bishan Street 21
Singapore 573943
Phone: +65 6571 2808
Fax: +65 6571 2699
apr.securitysystems@bosch.com
www.boschsecurity.asia

China:

Bosch (Shanghai) Security Systems Ltd.
203 Building, No. 333 Fuquan Road
North IBP
Changning District, Shanghai
200335 China
Phone +86 21 22181111
Fax: +86 21 22182398
www.boschsecurity.com.cn

Latin America and Caribbean:

Robert Bosch Ltda Security Systems Division
Via Anhanguera, Km 98
CEP 13065-900
Campinas, Sao Paulo, Brazil
Phone: +55 19 2103 2860
Fax: +55 19 2103 2862
latam.boschsecurity@bosch.com
www.boschsecurity.com