

DDZ3018-YY/HS/A DOMERA®

High-Speed PTZ Dome Camera, SD, 530 HTVL, 18× Optical Zoom, Auto-focus, Wide Dynamic Range (WDR), Day/Night

DOMERA®
Analogue



DOMERA® HS is a modular high-speed PTZ dome camera system.

The high-resolution PTZ dome camera DDZ3018-YY/HS/A with 18× optical zoom, auto-focus and Wide Dynamic Range (WDR) provides real-time SD video (PAL/NTSC). It is available in two mounting variants (in-ceiling mount, surface mount) and designed for indoor use.

Features

- 1/4" EXview HAD CCD* image sensor
- Horizontal resolution: 530 HTVL
- Pure Digital Signal Processing
- High-speed PTZ dome
- 18× optical zoom
- 12× digital zoom
- ICR¹⁾ function for Day/Night switching
- Comprehensive set of image optimization functions like AWB, AGC, BLC and Slow Shutter
- Auto-focus with manual override
- Wide Dynamic Range (WDR)²⁾
- Resolution: SDTV (NTSC/PAL)
- Privacy Zone Masking (hiding/masking of up to 8 protected areas)
- 8× Contact IN / 2× Relay OUT
- Motion detection with selectable sensitivity
- High-performance Pan/Tilt/Zoom mechanism
- 248 programmable preset positions, 16 programmable scans
- 16 programmable tours (8 tours, 8 pattern)
- UTP support (RJ45): Video signal, control signal and power supply via single Cat-5 cable
- Two available mounting variants (I/O interface integrated): in-ceiling mount (IM) and surface mount (SM)
- Easy and quick installation
- DIN EN 50130-4 compliant

Variants

000460.000473.401 NTSC: 000460.000473.402	DDZ3018-IM/HS/A DOMERA® High-speed PTZ dome camera, PAL, SD, 530 HTVL, 18× optical zoom, WDR, Day/Night, in-ceiling mount variant
000471.000472.401 NTSC: 000471.000472.402	DDZ3018-SM/HS/A DOMERA® High-speed PTZ dome camera, PAL, SD, 530 HTVL, 18× optical zoom, WDR, Day/Night, surface mount variant

Options

001081	Wall Mount Bracket Indoor Wall mount bracket, indoor, black, for DOMERA® SD surface mount variant
001035	Tinted Bubble White cover ring, for DOMERA® SD/HD in-ceiling mount variant
001677	Power Supply Unit (240 V AC -> 24 V AC) 1000 mA, Europlug
001717	VSC-1 Video System Controller for controlling of PTZ dome cameras at DMS or DLS recorders
002192	VMC Joystick (with 200 cm USB cable) Joystick module of the VMC-1 control panel as stand-alone device

1) ICR = IR Cut Filter Removable

2) Provides enhanced colour reproduction and detail resolution even in scenes with a wide range of contrast and strong backlighting.

All trademarks identified by ® are registered trademarks of Dallmeier electronic.

All trademarks identified by * are trademarks or registered trademarks of the following owners: EXview HAD CCD of Sony Corporation headquartered in Shinagawa, Tokyo, Japan

DDZ3018-YY/HS/A DOMERA®

High-Speed PTZ Dome Camera, SD, 530HTVL, 18× Optical Zoom, Auto-focus, Wide Dynamic Range (WDR), Day/Night

Specifications

Sensor

Type	1/4" EXview HAD CCD image sensor
Effective pixels	PAL: 752 × 582 pixels (approx. 440000 pixels) NTSC: 768 × 494 pixels (approx. 380000 pixels)
Horizontal resolution	530 HTVL
Signal processing	Pure Digital Signal Processing
Image capture	Interlaced
Minimum illumination	ICR ³⁾ Off: 0.7 lux (F1.4, PAL: 1/50 s or NTSC: 1/60 s) ICR On: 0.01 lux (F1.4, PAL: 1/3 s or NTSC: 1/4 s)
Signal to noise ratio (SNR)	More than 50 dB

Lens

Type	F1.4–F3.0/f=4.1 mm–73.8 mm (18× optical zoom)
Aperture control	Autoiris
Horizontal angle of view	Approx. 48.0° (wide end) to 2.8° (tele end)

Functions

Digital zoom	12× (216× with optical zoom)
Focus control	Auto-focus (AF sensitivity: Normal, Low), One-Push AF, Manual, AF near limit selectable
Wide Dynamic Range (WDR)	On/Off
Day/Night switching	ICR function
Black-and-white mode	Automatic (in Night mode)
Electronic (slow) shutter	1/1 to 1/10000 s (22 steps)
Exposure control	Automatic (AE), Manual, Shutter Priority, Iris Priority, Bright
Brightness control	Automatic (ALC), Manual
Gain control	Automatic (AGC), Manual (–3 to +28 dB, 16 steps)
Digital Noise Reduction (DNR)	--
White balance (WB)	Auto (AWB), ATW (Auto Tracing White Balance), Indoor, Outdoor, One-Push, Manual
Backlight compensation (BLC)	On/Off
Flip function	Yes
Privacy Zone Masking	Hiding/Masking of up to 8 protected areas (Block, Video Off)
Motion detection (VMD)	With selectable sensitivity
Alarm function	Relay OUT status change at motion detection or Contact IN, Automatic execution of stored PTZ functions at Contact IN
Synchronisation	Internal, AC Linelock
Configuration/control PTZ dome camera	Via OSD ⁴⁾ with SMAVIA Viewing Client, Dallmeier recorder
Languages	English

PTZ Functions

Pan/Tilt	360° continuous/0°–180° Variable speed: 0.1°–105°/s (proportional to zoom) 420°/s (with Turbo key pressed) Preset speed: 420°/s
Programmable presets	248 positions with camera status (16-character title)
Programmable scans	16 scans (including diagonal scans), 1 Auto Pan (360° continuous panning)
Programmable tours	8
Programmable pattern	8 (total up to 480 seconds)

3) ICR = IR Cut Filter Removable

4) OSD = On Screen Display

DDZ3018-YY/HS/A DOMERA®

High-Speed PTZ Dome Camera, SD, 530HTVL, 18× Optical Zoom, Auto-focus, Wide Dynamic Range (WDR), Day/Night

Specifications

Interfaces

Video OUT	1× BNC (CVBS, 1.0 V _{p-p} , 75Ω) or via UTP (RJ45 socket)
Contact IN	8×
Relay OUT	2× (selectable as NC/NO)
Serial interface	1× RS485 or via UTP (RJ45 socket)
Power IN	Via 24 V AC plug connection or via UTP (RJ45 socket)
UTP connection	1× RJ45 socket (video, RS485, power)

Protocols

PTZ control protocols	Dallmeier DCCP, Pelco D
-----------------------	-------------------------

Electrical Data

Voltage supply	24/28 V AC ±10% (50/60 Hz)
Power consumption	Max. 18 W

Mechanical Data

Dimensions	In-ceiling mount variant: approx. Ø226.5×H208 mm (Ø8.92×H8.19 inches) Surface mount variant: approx. Ø155×H206 mm (Ø6.10×H8.11 inches)
Weight	In-ceiling mount variant: approx. 2025 g (4.46 lb) Surface mount variant: approx. 1755 g (3.87 lb)
Colour	In-ceiling mount variant: black housing, white cover ring Surface mount variant: black
Bubble	Clear

Environmental Conditions

Operating temperature	-10°C to +40°C (14°F to 104°F)
Relative humidity	0%–90% RH, non-condensing

Approvals/Certifications

Type	CE, FCC, UL, ACA, CB, DIN EN 50130-4 compliant
------	--

DDZ3018-YY/HS/A DOMERA®

High-Speed PTZ Dome Camera, SD, 530HTVL, 18× Optical Zoom, Auto-focus, Wide Dynamic Range (WDR), Day/Night

Dimensions

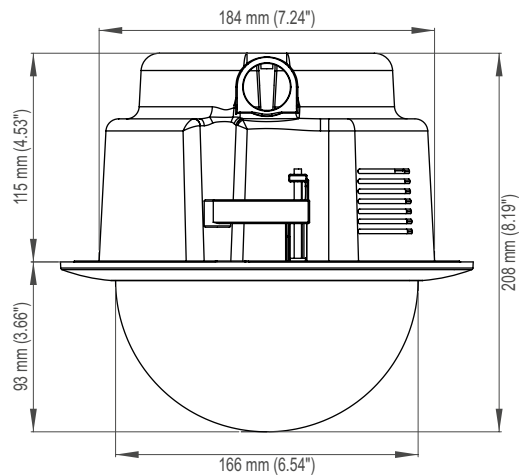


Fig. 1: In-ceiling mount variant

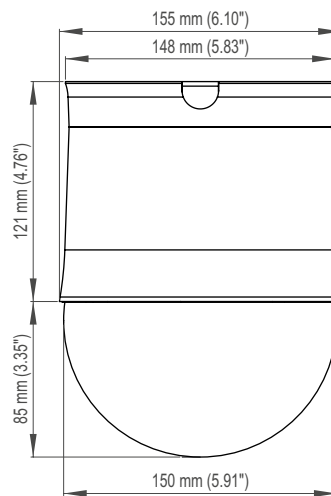


Fig. 2: Surface mount variant

