

DDZ3018-YY/RP/A DOMERA®

Remote-Positioning PTZ Dome Camera, SD, 480HTVL, 18× Optical Zoom, Auto-focus

DOMERA®
Remote-Positioning

DIN
DIN EN 50130-4



DOMERA® RP is a modular Remote-Positioning PTZ dome camera system.

The PTZ dome camera DDZ3018-YY/RP/A with 18× optical zoom and auto-focus provides real-time SD video (PAL/NTSC). It is available in two mounting variants (in-ceiling mount, surface mount) and designed for indoor use.

Features

- 1/4" EXview HAD CCD* image sensor
- Horizontal resolution: 480 HTVL
- Pure Digital Signal Processing
- Remote-Positioning PTZ dome
- 18× optical zoom
- 12× digital zoom
- Comprehensive set of image optimization functions like AWB, AGC, BLC and Slow Shutter
- Auto-focus with manual override
- Resolution: SDTV (NTSC/PAL)
- Privacy Zone Masking (hiding/masking of up to 8 protected areas)
- 8× Contact IN / 2× Relay OUT
- Remote-Positioning Pan/Tilt/Zoom mechanism
- 8 programmable preset positions
- 2 programmable scans
- UTP support (RJ45): Video signal, control signal and power supply via single Cat-5 cable
- Two available mounting variants (I/O interface integrated): in-ceiling mount (IM) and surface mount (SM)
- Easy and quick installation
- DIN EN 50130-4 compliant

Variants

000460.000462.401 NTSC: 000460.000462.402	DDZ3018-IM/RP/A DOMERA® Remote-Positioning PTZ dome camera, PAL, SD, 480HTVL, 18× optical zoom, in-ceiling mount variant
000471.000461.401 NTSC: 000471.000461.402	DDZ3018-SM/RP/A DOMERA® Remote-Positioning PTZ dome camera, PAL, SD, 480HTVL, 18× optical zoom, surface mount variant

Options

001081	Wall Mount Bracket Indoor Wall mount bracket, indoor for DOMERA® SD surface mount variant, black
001035	Tinted Bubble White cover ring, for DOMERA® SD/HD in-ceiling mount variant
001677	Power Supply Unit (240 V AC -> 24 V AC) 1000 mA, Europlug
001717	VSC-1 Video System Controller for controlling of PTZ dome cameras at DMS or DLS recorders
002192	VMC Joystick (with 200 cm USB cable) Joystick module of the VMC-1 control panel as stand-alone device

DDZ3018-YY/RP/A DOMERA®

Remote-Positioning PTZ Dome Camera, SD, 480HTVL, 18× Optical Zoom, Auto-focus

Specifications

Sensor

Type	1/4" EXview HAD CCD image sensor
Effective pixels	PAL: 752 × 582 pixels (approx. 440000 pixels) NTSC: 768 × 494 pixels (approx. 380000 pixels)
Horizontal resolution	480 HTVL
Signal processing	Pure Digital Signal Processing
Image capture	Interlaced
Minimum illumination	0.7 lux (F1.4, PAL: 1/50 s or NTSC: 1/60 s)
Signal to noise ratio (SNR)	More than 50 dB

Lens

Type	F1.4–F3.0/f=4.1 mm–73.8 mm (18× optical zoom)
Aperture control	Autoiris
Horizontal angle of view	Approx. 48.0° (wide end) to 2.8° (tele end)

Functions

Digital zoom	12× (216× with optical zoom)
Focus control	Auto-focus (AF sensitivity: Normal, Low), One-Push AF, Manual, AF near limit selectable
Wide Dynamic Range (WDR)	--
Day/Night switching	--
Black-and-white mode	--
Electronic (slow) shutter	1/1 to 1/10000 s (22 steps)
Exposure control	Automatic (AE), Manual, Shutter Priority, Iris Priority, Bright
Brightness control	Automatic (ALC), Manual
Gain control	Automatic (AGC), Manual (-3 to +28 dB, 16 steps)
Digital Noise Reduction (DNR)	--
White balance (WB)	Auto (AWB), ATW (Auto Tracing White Balance), Indoor, Outdoor, One-Push, Manual
Backlight compensation (BLC)	On/Off
Flip function	Yes
Privacy Zone Masking	Hiding/Masking of up to 8 protected areas (Block, Video Off)
Motion detection (VMD)	--
Alarm function	Relay OUT status change at Contact IN, Automatic execution of stored PTZ functions at Contact IN
Synchronisation	Internal, AC Linelock
Configuration/control PTZ dome camera	Via OSD ¹⁾ with SMAVIA Viewing Client, Dallmeier recorder
Languages	English

PTZ Functions

Pan/Tilt	360° continuous / 0°–180° Variable speed: 0.2°–10°/s (proportional to zoom) Preset speed: 100°/s
Programmable presets	8 positions with camera status (16-character title)
Programmable scans	2 scans (including diagonal scans), 1 Auto Pan (360° continuous panning)
Programmable tours	--

1) OSD = On Screen Display

DDZ3018-YY/RP/A DOMERA®

Remote-Positioning PTZ Dome Camera, SD, 480HTVL, 18× Optical Zoom, Auto-focus

Specifications

Interfaces

Video OUT	1× BNC (CVBS, 1.0V _{p-p} , 75Ω) or via UTP (RJ45 socket)
Contact IN	8×
Relay OUT	2× (selectable as NC/NO)
Serial interface	1× RS485 or via UTP (RJ45 socket)
Power IN	Via 24V AC plug connection or via UTP (RJ45 socket)
UTP connection	1× RJ45 socket (video, RS485, power)

Protocols

PTZ control protocols	Dallmeier DCCP, Pelco D
-----------------------	-------------------------

Electrical Data

Voltage supply	24/28 V AC ±10% (50/60 Hz)
Power consumption	Max. 18 W

Mechanical Data

Dimensions	In-ceiling mount variant: approx. Ø226.5×H208 mm (Ø8.92×H8.19 inches) Surface mount variant: approx. Ø155×H206 mm (Ø6.10×H8.11 inches)
Weight	In-ceiling mount variant: approx. 2025 g (4.46 lb) Surface mount variant: approx. 1755 g (3.87 lb)
Colour	In-ceiling mount variant: black housing, white cover ring Surface mount variant: black
Bubble	Clear

Environmental Conditions

Operating temperature	-10°C to +40°C (14°F to 104°F)
Relative humidity	0%–90% RH, non-condensing

Approvals/Certifications

Type	CE, FCC, UL, ACA, CB, DIN EN 50130-4 compliant
------	--

DDZ3018-YY/RP/A DOMERA®

Remote-Positioning PTZ Dome Camera, SD, 480HTVL, 18× Optical Zoom, Auto-focus

Dimensions

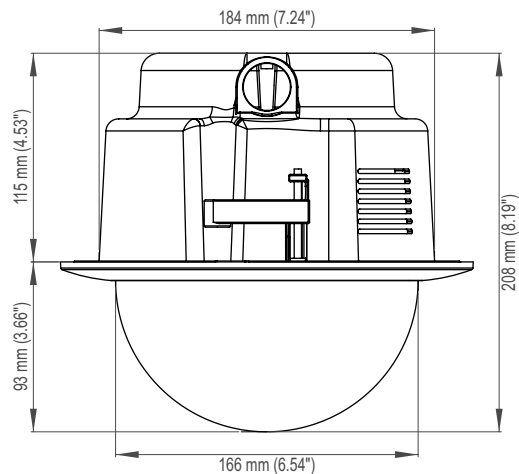


Fig. 1: In-ceiling mount variant

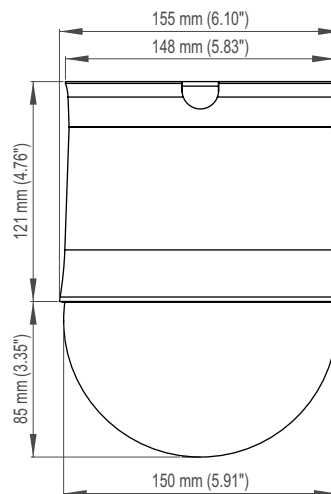


Fig. 2: Surface mount variant

