

DDZ3026-YY/HS/A DOMERA®

High-Speed PTZ Dome Camera, SD, 480HTVL, 26× Optical Zoom, Auto-focus, Day/Night

DOMERA®
Analogue



DOMERA® HS is a modular high-speed PTZ dome camera system.

The PTZ dome camera DDZ3026-YY/HS/A with 26× optical zoom and auto-focus provides real-time SD video (PAL/NTSC). It is available in two mounting variants (in-ceiling mount, surface mount) and designed for indoor use.

Features

- 1/4" EXview HAD CCD* image sensor
- Horizontal resolution: 480 HTVL
- Pure Digital Signal Processing
- High-speed PTZ dome
- 26× optical zoom
- 12× digital zoom
- ICR¹⁾ function for Day/Night switching
- Comprehensive set of image optimization functions like AWB, AGC, BLC and Slow Shutter
- Auto-focus with manual override
- Resolution: SDTV (NTSC/PAL)
- Privacy Zone Masking (hiding/masking of up to 8 protected areas)
- 8× Contact IN / 2× Relay OUT
- High-performance Pan/Tilt/Zoom mechanism
- 248 programmable preset positions, 16 programmable scans
- 16 programmable tours (8 tours, 8 pattern)
- UTP support (RJ45): Video signal, control signal and power supply via single Cat-5 cable
- Two available mounting variants (I/O interface integrated): in-ceiling mount (IM) and surface mount (SM)
- Easy and quick installation
- DIN EN 50130-4 compliant

Variants	
000460.000468.401 NTSC: 000460.000468.402	DDZ3026-IM/HS/A DOMERA® High-speed PTZ dome camera, PAL, SD, 480HTVL, 26× optical zoom, Day/Night, in-ceiling mount variant
000471.000467.401 NTSC: 000471.000467.402	DDZ3026-SM/HS/A DOMERA® High-speed PTZ dome camera, PAL, SD, 480HTVL, 26× optical zoom, Day/Night, surface mount variant

Options	
001081	Wall Mount Bracket Indoor Wall mount bracket, indoor, black, for DOMERA® SD surface mount variant
001035	Tinted Bubble White cover ring, for DOMERA® SD/HD in-ceiling mount variant
001677	Power Supply Unit (240 V AC -> 24 V AC) 1000 mA, Europlug
001717	VSC-1 Video System Controller for controlling of PTZ dome cameras at DMS or DLS recorders
002192	VMC Joystick (with 200 cm USB cable) Joystick module of the VMC-1 control panel as stand-alone device

1) ICR = IR Cut Filter Removable

All trademarks identified by ® are registered trademarks of Dallmeier electronic.

All trademarks identified by * are trademarks or registered trademarks of the following owners: EXview HAD CCD of Sony Corporation headquartered in Shinagawa, Tokyo, Japan

DDZ3026-YY/HS/A DOMERA®

High-Speed PTZ Dome Camera, SD, 480HTVL, 26× Optical Zoom, Auto-focus, Day/Night

Specifications

Sensor

Type	1/4" EXview HAD CCD image sensor
Effective pixels	PAL: 752 × 582 pixels (approx. 440000 pixels) NTSC: 768 × 494 pixels (approx. 380000 pixels)
Horizontal resolution	480 HTVL
Signal processing	Pure Digital Signal Processing
Image capture	Interlaced
Minimum illumination	ICR ²⁾ Off: 1.0 lux (F1.6, PAL: 1/50 s or NTSC: 1/60 s) ICR On: 0.01 lux (F1.6, PAL: 1/3 s or NTSC: 1/4 s)
Signal to noise ratio (SNR)	More than 50 dB

Lens

Type	F1.6–F3.8/f=3.5 mm–91.0 mm (26× optical zoom)
Aperture control	Autoiris
Horizontal angle of view	Approx. 54.2° (wide end) to 2.2° (tele end)

Functions

Digital zoom	12× (312× with optical zoom)
Focus control	Auto-focus (AF sensitivity: Normal, Low), One-Push AF, Manual, AF near limit selectable
Wide Dynamic Range (WDR)	--
Day/Night switching	ICR function
Black-and-white mode	Automatic (in Night mode)
Electronic (slow) shutter	1/1 to 1/10000 s (22 steps)
Exposure control	Automatic (AE), Manual, Shutter Priority, Iris Priority, Bright
Brightness control	Automatic (ALC), Manual
Gain control	Automatic (AGC), Manual (-3 to +28 dB, 16 steps)
Digital Noise Reduction (DNR)	--
White balance (WB)	Auto (AWB), ATW (Auto Tracing White Balance), Indoor, Outdoor, One-Push, Manual
Backlight compensation (BLC)	On/Off
Flip function	Yes
Privacy Zone Masking	Hiding/Masking of up to 8 protected areas (Block, Video Off)
Motion detection (VMD)	--
Alarm function	Relay OUT status change at Contact IN, Automatic execution of stored PTZ functions at Contact IN
Synchronisation	Internal, AC Linelock
Configuration/control PTZ dome camera	Via OSD ³⁾ with SMAVIA Viewing Client, Dallmeier recorder
Languages	English

PTZ Functions

Pan/Tilt	360° continuous/0°–180° Variable speed: 0.1°–105°/s (proportional to zoom) 420°/s (with Turbo key pressed) Preset speed: 420°/s
Programmable presets	248 positions with camera status (16-character title)
Programmable scans	16 scans (including diagonal scans), 1 Auto Pan (360° continuous panning)
Programmable tours	8
Programmable pattern	8 (total up to 480 seconds)

2) ICR = IR Cut Filter Removable

3) OSD = On Screen Display

DDZ3026-YY/HS/A DOMERA®

High-Speed PTZ Dome Camera, SD, 480HTVL, 26× Optical Zoom, Auto-focus, Day/Night

Specifications

Interfaces

Video OUT	1× BNC (CVBS, 1.0 V _{p-p} , 75Ω) or via UTP (RJ45 socket)
Contact IN	8×
Relay OUT	2× (selectable as NC/NO)
Serial interface	1× RS485 or via UTP (RJ45 socket)
Power IN	Via 24V AC plug connection or via UTP (RJ45 socket)
UTP connection	1× RJ45 socket (video, RS485, power)

Protocols

PTZ control protocols	Dallmeier DCCP, Pelco D
-----------------------	-------------------------

Electrical Data

Voltage supply	24/28 V AC ±10% (50/60 Hz)
Power consumption	Max. 18 W

Mechanical Data

Dimensions	In-ceiling mount variant: approx. Ø226.5×H208 mm (Ø8.92×H8.19 inches) Surface mount variant: approx. Ø155×H206 mm (Ø6.10×H8.11 inches)
Weight	In-ceiling mount variant: approx. 2025 g (4.46 lb) Surface mount variant: approx. 1755 g (3.87 lb)
Colour	In-ceiling mount variant: black housing, white cover ring Surface mount variant: black
Bubble	Clear

Environmental Conditions

Operating temperature	-10°C to +40°C (14°F to 104°F)
Relative humidity	0%–90% RH, non-condensing

Approvals/Certifications

Type	CE, FCC, UL, ACA, CB, DIN EN 50130-4 compliant
------	--

DDZ3026-YY/HS/A DOMERA®

High-Speed PTZ Dome Camera, SD, 480HTVL, 26× Optical Zoom, Auto-focus, Day/Night

Dimensions

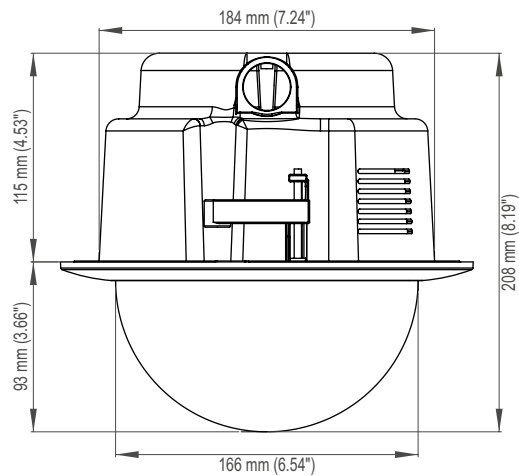


Fig. 1: In-ceiling mount variant

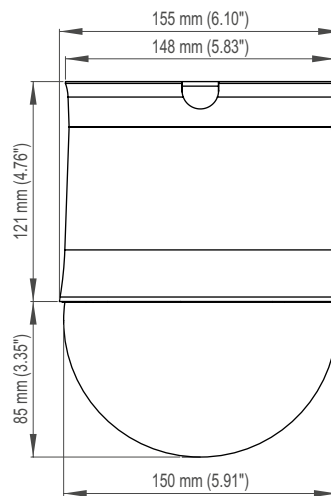


Fig. 2: Surface mount variant

