

# DDZ3018-YY/HS/IP DOMERA®

High-Speed IP Network PTZ Dome Camera, SD, 530HTVL, 18× Optical Zoom, Auto-focus, Wide Dynamic Range (WDR), Day/Night



DOMERA® HS is a modular high-speed PTZ dome camera system.

The high-resolution IP network PTZ dome camera DDZ3018-YY/HS/IP with 18× optical zoom, auto-focus and Wide Dynamic Range (WDR) provides real-time SD video (PAL/NTSC). It is available in two mounting variants (in-ceiling mount, surface mount) and designed for indoor use.

## Features

- 1/4" EXview HAD CCD\* image sensor
- Horizontal resolution: 530 HTVL
- Pure Digital Signal Processing
- High-speed PTZ dome
- 18× optical zoom
- 12× digital zoom
- ICR<sup>1)</sup> function for Day/Night switching
- Comprehensive set of image optimization functions like AWB, AGC, BLC and Slow Shutter
- Auto-focus with manual override
- Wide Dynamic Range (WDR)<sup>2)</sup>
- Resolution: SD (NTSC/PAL) up to Full D1
- Video compression: MPEG-2, MPEG-4, MJPEG
- Frame rate up to 30fps
- Privacy Zone Masking (hiding/masking of up to 8 protected areas)
- Motion detection with selectable sensitivity
- Alarm notification via DaVid protocol, e-mail and FTP image upload
- 64 MB RAM video buffer
- Hybrid IP camera with analogue preview output
- High-performance Pan/Tilt/Zoom mechanism
- 248 programmable preset positions, 16 programmable scans
- 16 programmable tours (8 tours, 8 pattern)
- Two available mounting variants (IP I/O interface integrated): in-ceiling mount (IM) and surface mount (SM)
- Easy and quick installation
- ONVIF compliant
- DIN EN 50130-4 compliant

### Variants

<b>000458.000473.401</b> NTSC: 000458.000473.402	<b>DDZ3018-IM/HS/IP DOMERA®</b> High-speed IP network PTZ dome camera, PAL, SD, 530 HTVL, 18× optical zoom, WDR, Day/Night, in-ceiling mount variant
<b>000478.000472.401</b> NTSC: 000478.000472.402	<b>DDZ3018-SM/HS/IP DOMERA®</b> High-speed IP network PTZ dome camera, PAL, SD, 530 HTVL, 18× optical zoom, WDR, Day/Night, surface mount variant

### Options

<b>001081</b>	<b>Wall Mount Bracket Indoor</b> Wall mount bracket, indoor, black, for DOMERA® SD surface mount variant
<b>001035</b>	<b>Tinted Bubble</b> White cover ring, for DOMERA® SD/HD in-ceiling mount variant
<b>001431</b>	<b>EvC-1</b> High-Speed Ethernet data transmission via coaxial cable
<b>001677</b>	<b>Power Supply Unit (240 V AC -&gt; 24 V AC)</b> 1000 mA, Europlug
<b>001717</b>	<b>VSC-1</b> Video System Controller for controlling of PTZ dome cameras at DMS or DLS recorders
<b>002192</b>	<b>VMC Joystick (with 200 cm USB cable)</b> Joystick module of the VMC-1 control panel as stand-alone device

1) ICR = IR Cut Filter Removable

2) Provides enhanced colour reproduction and detail resolution even in scenes with a wide range of contrast and strong backlighting.

All trademarks identified by ® are registered trademarks of Dallmeier electronic.

All trademarks identified by \* are trademarks or registered trademarks of the following owners:  
ActiveX of Microsoft Corporation headquartered in Redmond, Washington, USA  
EXview HAD CCD of Sony Corporation headquartered in Shinagawa, Tokyo, Japan

# DDZ3018-YY/HS/IP DOMERA®

High-Speed IP Network PTZ Dome Camera, SD, 530HTVL, 18× Optical Zoom, Auto-focus, Wide Dynamic Range (WDR), Day/Night

## Specifications

### Sensor

Type	1/4" EXview HAD CCD image sensor
Effective pixels	PAL: 752 × 582 pixels (approx. 440000 pixels) NTSC: 768 × 494 pixels (approx. 380000 pixels)
Horizontal resolution	530 HTVL
Signal processing	Pure Digital Signal Processing
Image capture	Interlaced
Minimum illumination	ICR <sup>3)</sup> Off: 0.7 lux (F1.4, PAL: 1/50 s or NTSC: 1/60 s) ICR On: 0.01 lux (F1.4, PAL: 1/3 s or NTSC: 1/4 s)
Signal to noise ratio (SNR)	More than 50 dB

### Lens

Type	F1.4–F3.0/f=4.1 mm–73.8 mm (18× optical zoom)
Aperture control	Autoiris
Horizontal angle of view	Approx. 48.0° (wide end) to 2.8° (tele end)

### Functions

Digital zoom	12× (216× with optical zoom)
Focus control	Auto-focus (AF sensitivity: Normal, Low), One-Push AF, Manual, AF near limit selectable
Wide Dynamic Range (WDR)	On/Off
Day/Night switching	ICR function
Black-and-white mode	Automatic, Manual
Electronic (slow) shutter	1/1 to 1/10000 s (22 steps)
Exposure control	Automatic (AE), Manual, Shutter Priority, Iris Priority, Bright
Brightness control	Automatic (ALC), Manual
Gain control	Automatic (AGC), Manual (–3 to +28 dB, 16 steps)
Digital Noise Reduction (DNR)	3D DNR
White balance (WB)	Auto (AWB), ATW (Auto Tracing White Balance), Indoor, Outdoor, One-Push, Manual
Backlight compensation (BLC)	On/Off
Flip function	Yes
Privacy Zone Masking	Hiding/Masking of up to 8 protected areas (Block, Video Off)
Motion detection (VMD)	With selectable sensitivity (5 levels)
Alarm notification	Via DaVid protocol (Dallmeier Video Protocol) to PGuard advance, e-mail, FTP image upload
Alarm trigger	Motion detection, video signal loss
Configuration IP I/O interface	With web browser
Configuration/control PTZ dome camera	Via OSD <sup>4)</sup> with SMAVIA Viewing Client, Dallmeier recorder
Languages	English, German, French, Spanish, Italian

### PTZ Functions

Pan/Tilt	360° continuous/0°–180° Variable speed: 0.1°–105°/s (proportional to zoom) 420°/s (with Turbo key pressed) Preset speed: 420°/s
Programmable presets	248 positions with camera status (16-character title)
Programmable scans	16 scans (including diagonal scans), 1 Auto Pan (360° continuous panning)
Programmable tours	8
Programmable pattern	8 (total up to 480 seconds)

### Format and Encoding

Video standard	SDTV (PAL/NTSC)
Resolution	PAL: QCIF, CIF, 2CIF, Half D1, 4CIF, Full D1 NTSC: QSIF, SIF, 2SIF, Half D1, 4SIF, Full D1
Video compression	MPEG-2, MPEG-4, MJPEG
Audio compression	MPEG-1 Layer 2
Frame rate	PAL: 6.25 / 12.5 / 25 fps NTSC: 7.5 / 15 / 30 fps
Video bit rate	0.25–8 Mbps, CBR (constant bit rate)
Audio bit rate	32–160 kbps
Transfer format	Progressive (full image)
Live streaming transmission method	Unicast, Multicast

3) ICR = IR Cut Filter Removable

4) OSD = On Screen Display

# DDZ3018-YY/HS/IP DOMERA®

High-Speed IP Network PTZ Dome Camera, SD, 530HTVL, 18× Optical Zoom, Auto-focus, Wide Dynamic Range (WDR), Day/Night

## Specifications

### Interfaces

Audio IN (stereo)	1× 3.5mm phone jack (Line IN)
Video OUT	1× Cinch (CVBS, analogue video preview output, for local installation only)
Ethernet	1× RJ45, 10BASE-T-/100BASE-TX
Programming interface	Open API for 3rd party systems integration via Dallmeier control for ActiveX* (ONVIF compliant)

### Protocols

Ethernet protocols	IPv4, TCP, UDP, ARP, ICMP, DHCP, NTP, HTTP, RTSP, IGMP V2, FTP, SMTP, RTP, RTCP
PTZ control protocols	Dallmeier DCCP, Pelco D

### Miscellaneous

Video buffer	64MB RAM ring storage (pre- and post alarm, network failure compensation)
--------------	---

### Electrical Data

Voltage supply	24/28 V AC ±10% (50/60 Hz)
Power consumption	Max. 24 W

### Mechanical Data

Dimensions	In-ceiling mount variant: approx. Ø226.5×H208 mm (Ø8.92×H8.19 inches) Surface mount variant: approx. Ø155×H206 mm (Ø6.10×H8.11 inches)
Weight	In-ceiling mount variant: approx. 2025 g (4.46 lb) Surface mount variant: approx. 1755 g (3.87 lb)
Colour	In-ceiling mount variant: black housing, white cover ring Surface mount variant: black
Bubble	Clear

### Environmental Conditions

Operating temperature	-10°C to +40°C (14°F to 104°F)
Relative humidity	0%–90% RH, non-condensing

### Approvals/Certifications

Type	CE, FCC, UL, ACA, CB, DIN EN 50130-4 compliant
------	--

# DDZ3018-YY/HS/IP DOMERA®

High-Speed IP Network PTZ Dome Camera, SD, 530HTVL, 18× Optical Zoom, Auto-focus, Wide Dynamic Range (WDR), Day/Night

## Dimensions

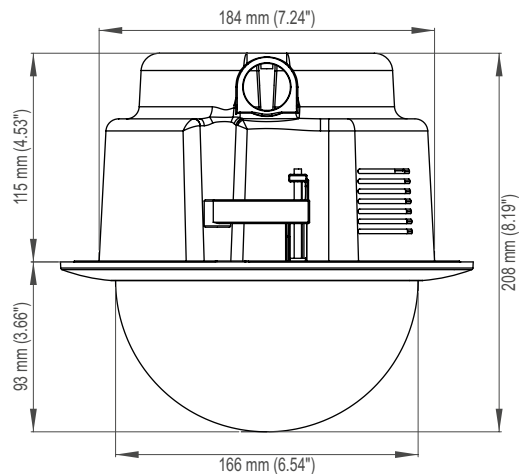


Fig. 1: In-ceiling mount variant

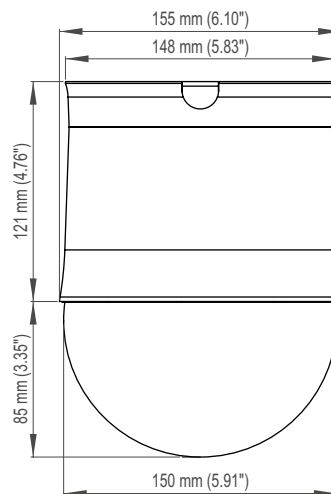


Fig. 2: Surface mount variant

