

SHANY

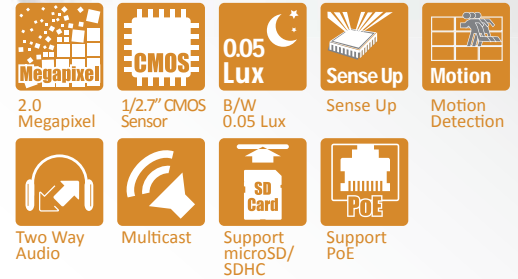
2.0 Megapixel 1080P IP Box Camera SNC-2201

- 1/2.7" 2.0 Megapixel Progressive CMOS Sensor
- 1920x1080P@30fps (1080P) ; H.264 High Profile, MPEG4, M-JPEG
- Color:0.2Lux@F1.2, B/W:0.05Lux@F1.2, Sense-up:0.001Lux@F1.2
- Shutter Mode (Auto/Manual) & Sense Up
- Motion Detection & Alarm Trigger
- Two-way Audio & Support Multicast
- Support Micro SD/SDHC Card
- Support 12Vdc / PoE Power Input
- Support ONVIF 2.0 and PSIA

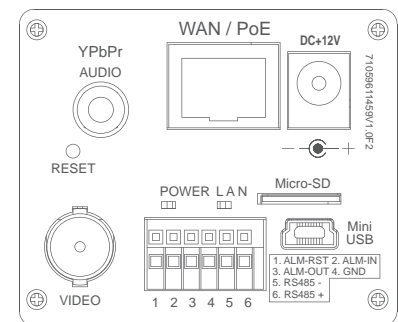
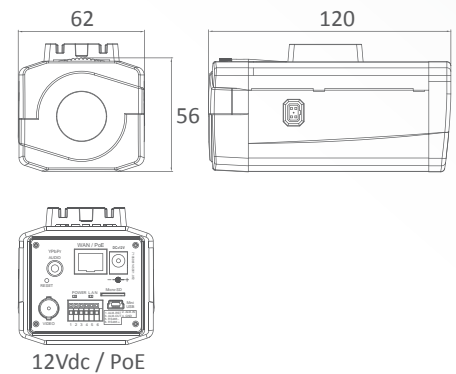


Specifications

| | | | |
|---------------------------|---|--|---|
| Video | Image Sensor | 1/2.7" 2.0 Megapixel Progressive CMOS Sensor | |
| | Video Resolution/Frame Rate | 1920x1080P@30fps (1080P) ; 1280x1024@30fps, 1280x960@30fps, 1280x720@30fps, 720x480@30fps | |
| | Video Frame Rate | Up to 30fps for All Video | |
| | Video Compression | H.264 High Profile, MPEG4, M-JPEG | |
| | Minimum Illumination | Color:0.2Lux@F1.2, B/W:0.05Lux@F1.2, Sense-up:0.001Lux@F1.2 | |
| | Digital Wide Dynamic Range | NA | |
| | Second Video Output | 1.0Vp-p Composite, 75Ω (BNC) or YPbPr | |
| | Signal to Noise Ratio | More than 50dB (AGC off) | |
| | Mechanical IR Cut Filter | NA | |
| | IR LED ; Working Distance | NA | |
| | Function | Menu | Can Be Set Via Browser |
| | | Day&Night Mode | Color / B&W / Auto / External |
| Auto Electronic Shutter | | 1/100,000 to 1/7.5 sec. | |
| Manual Electronic Shutter | | 1/7.5, 1/15, 1/30, 1/60, 1/100, 1/250, 1/500, 1/1,000, 1/10,000, 1/100,000 sec. | |
| White Balance | | Auto_wide / Auto_normal / Sunny / Shadow / Indoor / Lamp / FL1 / FL2 | |
| DNR ; Sense Up | | NA ; Yes | |
| Language | | English / Japanese / Chinese (Traditional, Simplified) / Russian / Hungarian / German / Persian / Spanish / Polish / Dutch | |
| Image Setting | | Brightness / Contrast / Saturation / Sharpness / Hue / EV Compensation / AWB / Rotation / Exposure Mode / Exposure Priority / Gain Control / Auto IRIS / BLC | |
| Motion Detection | | Yes | |
| Timer Clock | | Yes | |
| Camera Control Interface | | Pelco D, Pelco P, Customer | |
| Network | | Browser | IE 8.0 or Above |
| | | Ethernet | 10/100M Auto Negotiation |
| | | Bit Rate Transmission | 64 up to 12,000 Kbps |
| | | Supported Protocols | TCP, UDP, HTTP, SMTP, FTP, NTP, DNS, DHCP, PPPoE, ARP, UPnP, RTSP, RTP, SNMP, TRAP, Ethernet (RJ-45 Wired 10/100 Base-TX) |
| | Video Streaming | H.264, MPEG4 and M-JPEG Dual/Triple Streaming | |
| | Audio Streaming | Two-way Audio ; G.711 (μLaw), 8KHz/16KHz Sample Rate | |
| | Users | Support 9 Users | |
| | Security | ID/Password Protection | |
| | Alarm Trigger | File Upload via FTP and Email/Notification via Email, HTTP, External Digital Output Activation, micro SD Recording | |
| | Multicast | Support Multicast Function | |
| General | Connector | YPbPr/Audio, RJ45/PoE, Power, BNC, Reset, RS485, Micro SD Slot, Mini USB Port | |
| | Alarm In / Alarm Out | DI/DO | |
| | Automatic IRIS ; Connector | DC ; D4 IRIS Jack | |
| | Lens Mount | CS / C mount (With Adaptor Ring) | |
| | Lens, Angle of View (H) | Please See the Page of Lens Series | |
| | Water Resistance | NA | |
| | Max. Breaking Strength | NA | |
| | Power Supply ; Consumption | 12Vdc / PoE ; 4W | |
| | Operation ; Storage Temp. | -10°C ~ 50°C ; -20°C ~ 60°C | |
| | Operation ; Storage Humidity | Maximum: RH80% ; RH90% | |
| | Dimensions | 62(W)x56(H)x120(L)mm | |
| Net Weight | 350g | | |
| Accessories Option | Lens:SHV-3M2812DAI ; Bracket:MTB-101, MTB-102 | | |



Dimensions



UNIT : mm / TOL : ±0.5



*Specifications are unfixed and do not apply to customized projects. 130401