

1.3 Megapixel WDR IP Dome Camera SNC-WDL2132M

Preliminary

Wide Dynamic

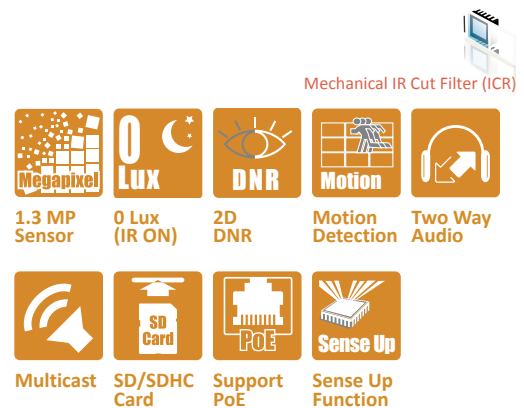
- 1/3" Sony 1.3 Megapixel Progressive Exmor™ CMOS Sensor
- 1280x1024@30fps (SXGA) ; H.264, MPEG4, M-JPEG
- Color:0.1Lux@F1.2, B/W:0.01Lux@F1.2, IR ON:0Lux@F1.2
- 2D Noise Reduction ; Sense up:0.001Lux@F1.2
- Motion Detection
- Two-way Audio & Multicast Support
- Support Micro SD/SDHC Card
- Support 12Vdc / PoE Power Input
- Support ONVIF Profile S



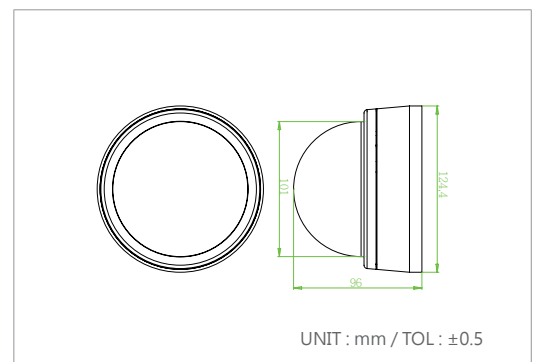
Specifications

Video	Image Sensor	1 / 3" Sony 1.3 Megapixel Progressive Exmor™ CMOS Sensor	
	Video Resolution/Frame Rate	1280x1024@30fps(SXGA), 1280x960@30fps, 1280x720@30fps, 720x480@30fps	
	Video Frame Rate	Up to 30fps for All Video	
	Video Compression	H.264, MPEG4, M-JPEG	
	Minimum Illumination	Color:0.1Lux@F1.2, B/W:0.01Lux@F1.2, IR ON:0Lux@F1.2	
	WDR/HDR	Yes	
	Second Video Output	1.0Vp-p Composite, 75Ω (BNC)	
	Signal to Noise Ratio	More than 52dB (AGC off)	
	Mechanical IR Cut Filter	Automatically Switches (B/W Mode<2Lux, Color Mode>5Lux); External	
	IR LED ; Working Distance	30 units; 10~20m	
	Function	Menu	Can Be Set Via Browser
Day&Night Mode		Color / B&W / Auto / External	
Auto Electronic Shutter		1/100,000 to 1/2 sec.	
Manual Electronic Shutter		1/2, 1/4, 1/8, 1/15, 1/30, 1/60, 1/120, 1/250, 1/500, 1/750, 1/1,000, 1/1,500, 1/2,000, 1/10,000, 1/100,000 sec.	
White Balance		Auto_wide / Auto_normal / Sunny / Shadow / Indoor / Lamp / FL1 / FL2	
DNR ; Sense Up		2D DNR ; Yes	
Language		English / Japanese / Chinese (Traditional, Simplified) / Russian / Hungarian / German / Persian / Spanish / Polish / Dutch	
Image Setting		Brightness / Contrast / Saturation / Sharpness / DeNoise / EV Compensation / AWB / WDR / Rotation / Exposure Mode / Exposure Priority / Auto IRIS / BLC / ROI	
Integrated Video Detection		Motion Detection	
Timer Clock		Yes	
Camera Control Interface		Pelco D, Pelco P, Customer	
Network		Browser	IE 8.0 or Above
		Ethernet	10/100M/1000M Auto Negotiation
	Bit Rate Transmission	64 up to 12,000 Kbps	
	Supported Protocols	TCP IP, UDP, HTTP, SMTP, FTP, NTP, DNS, DHCP, PPPoE, ARP, UPnP, RTSP, RTP, SNMP, TRAP, Ethernet (RJ-45 Wired 10/100/1000M Base-TX)	
	Video Streaming	H.264, MPEG4 and M-JPEG Dual/Triple Streaming	
	Audio Streaming	Two-way Audio ; G.711 (μLaw), 8KHz/16KHz Sample Rate	
	Users	Support 9 Users	
	Security	ID/Password Protection	
	Alarm Trigger	File Upload via FTP and Email/Notification via Email, HTTP, External Digital Output Activation, micro SD Recording	
	Multicast	Support Multicast Function	
General	Connector	Audio, RJ45/PoE, DC Power, BNC, Reset Button, DI/DO/RS485, Micro SD Slot, Mini USB Slot	
	Automatic IRIS ; Connector	DC	
	Lens Mount	Built-in DC Auto IRIS Lens	
	Lens, Angle of View (H)	f2.8~12mm	
	Water Resistance	NA	
	Max. Breaking Strength	NA	
	Power Supply ; Consumption	12Vdc / PoE ; 4W, LED ON:9W	
	Operation ; Storage Temp.	-10°C ~ 50°C ; -20°C ~ 60°C	
	Operation ; Storage Humidity	Maximum: RH80% ; RH90%	
	Dimensions	116(DIA)x94(H)mm	
	Net Weight	320g	
Accessories Option	Bracket: : MTB-201, MTB-504		

*Specifications are unfixed and do not apply to customized projects. 06L1 140512



Dimensions



Options

