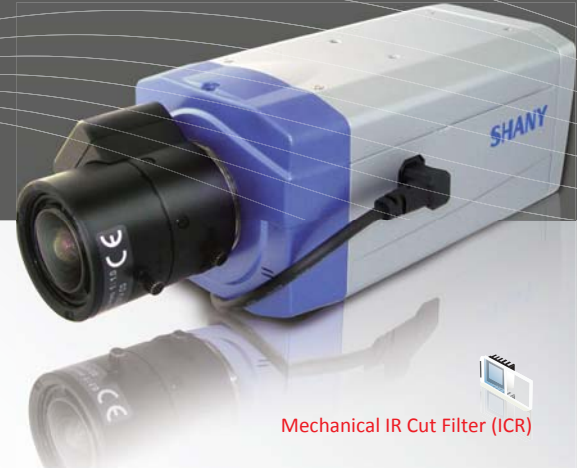


SHANY

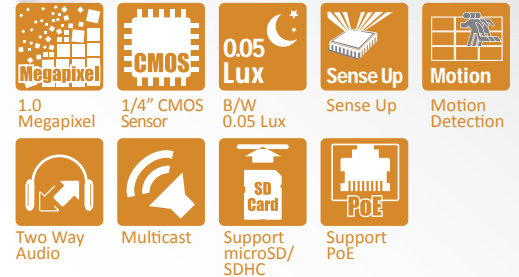
1.0 Megapixel 720P IP Box Camera SNC-2101M

- 1/4" 1.0 Megapixel Progressive CMOS Sensor
- 1280x720P@30fps (720P) ; H.264 High Profile, MPEG4, M-JPEG
- Color:0.2Lux@F1.2, B/W:0.05Lux@F1.2, Sense-up:0.001Lux@F1.2
- Shutter Mode (Auto/Manual) & Sense Up
- Motion Detection & Alarm Trigger
- Two-way Audio & Support Multicast
- Support Micro SD/SDHC Card
- Support 12Vdc / PoE Power Input
- Support ONVIF 2.0 and PSIA

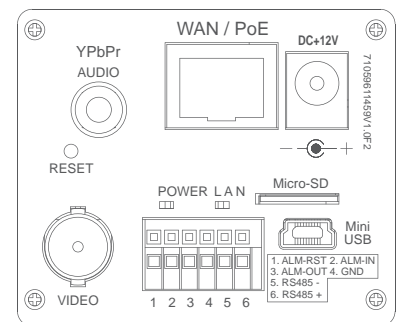
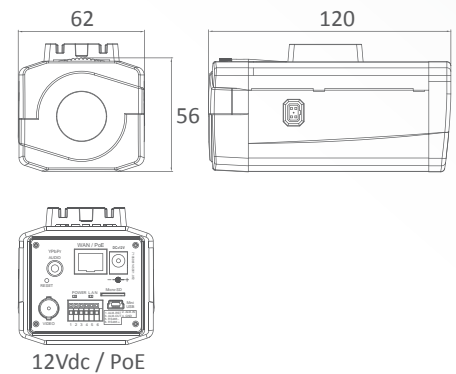


Specifications

Video	Image Sensor	1/4" 1.0 Megapixel Progressive CMOS Sensor	
	Video Resolution/Frame Rate	1280x720P@30fps (720P) ; 720x480@30fps	
	Video Frame Rate	Up to 30fps for All Video	
	Video Compression	H.264 High Profile, MPEG4, M-JPEG	
	Minimum Illumination	Color:0.2Lux@F1.2, B/W:0.05Lux@F1.2, Sense-up:0.001Lux@F1.2	
	Digital Wide Dynamic Range	NA	
	Second Video Output	1.0Vp-p Composite, 75Ω (BNC) or YPbPr	
	Signal to Noise Ratio	More than 50dB (AGC off)	
	Mechanical IR Cut Filter	Automatically Switches (B/W Mode<2Lux, Color Mode>5Lux) ; External IR LED ; Working Distance	
	IR LED ; Working Distance	Compatible with Infrared Illuminator	
Function	Menu	Can Be Set Via Browser	
	Day&Night Mode	Color / B&W / Auto / External	
	Auto Electronic Shutter	1/100,000 to 1/7.5 sec.	
	Manual Electronic Shutter	1/7.5, 1/15, 1/30, 1/60, 1/100, 1/250, 1/500, 1/1,000, 1/10,000, 1/100,000 sec.	
	White Balance	Auto_wide / Auto_normal / Sunny / Shadow / Indoor / Lamp / FL1 / FL2	
	DNR ; Sense Up	NA ; Yes	
	Language	English / Japanese / Chinese (Traditional, Simplified) / Russian / Hungarian / German / Persian / Spanish / Polish / Dutch	
	Image Setting	Brightness / Contrast / Saturation / Sharpness / Hue / EV Compensation / AWB / Rotation / Exposure Mode / Exposure Priority / Gain Control / Auto IRIS / BLC	
	Motion Detection	Yes	
	Timer Clock	Yes	
	Camera Control Interface	Pelco D, Pelco P, Customer	
	Network	Browser	IE 8.0 or Above
		Ethernet	10/100M Auto Negotiation
Bit Rate Transmission		64 up to 12,000 Kbps	
Supported Protocols		TCP, UDP, HTTP, SMTP, FTP, NTP, DNS, DHCP, PPPoE, ARP, UPnP, RTSP, RTP, SNMP, TRAP, Ethernet (RJ-45 Wired 10/100 Base-TX)	
Video Streaming		H.264, MPEG4 and M-JPEG Dual/Triple Streaming	
Audio Streaming		Two-way Audio ; G.711 (μLaw), 8KHz/16KHz Sample Rate	
Users		Support 9 Users	
Security		ID/Password Protection	
Alarm Trigger		File Upload via FTP and Email/Notification via Email, HTTP, External Digital Output Activation, micro SD Recording	
Multicast		Support Multicast Function	
General	Connector	YPbPr/Audio, RJ45/PoE, Power, BNC, Reset, RS485, Micro SD Slot, Mini USB Port	
	Alarm In / Alarm Out	DI/DO	
	Automatic IRIS ; Connector	DC ; D4 IRIS Jack	
	Lens Mount	CS / C mount (With Adaptor Ring)	
	Lens, Angle of View (H)	Please See the Page of Lens Series	
	Water Resistance	NA	
	Max. Breaking Strength	NA	
	Power Supply ; Consumption	12Vdc / PoE ; 4W	
	Operation ; Storage Temp.	-10°C ~ 50°C ; -20°C ~ 60°C	
	Operation ; Storage Humidity	Maximum: RH80% ; RH90%	
Dimensions	62(W)x56(H)x120(L)mm		
Net Weight	350g		
Accessories Option	Lens:SHV-3M2812DAI ; Bracket:MTB-101, MTB-102		



Dimensions



UNIT : mm / TOL : ±0.5



*Specifications are unfixed and do not apply to customized projects. 130401