

1.3 Megapixel (SXGA) WDR IP Box Camera SNC-WD2131, SNC-WD2131M

- 1 / 3" Sony 1.3 Megapixel Progressive Exmor™ CMOS Sensor
- 1280x1024@30fps (SXGA) ; H.264 High Profile, MPEG4, M-JPEG
- Color:0.1Lux@F1.2, B/W:0.01Lux@F1.2, Sense-up:0.001Lux@F1.2
- 2D Noise Reduction & Sense Up
- Motion Detection & Alarm Trigger
- Two-way Audio & Support Multicast
- Support Micro SD/SDHC Card
- Support 12Vdc / PoE Power Input
- Support ONVIF 2.0 and PSIA



Specifications

	SNC-WD2131	SNC-WD2131M		
Video	Image Sensor	1 / 3" Sony 1.3 Megapixel Progressive Exmor™ CMOS Sensor		
	Video Resolution/Frame Rate	1280x1024@30fps (SXGA) ; 1280x960@30fps, 1280x720@30fps, 720x480@30fps		
	Video Frame Rate	Up to 30fps for All Video		
	Video Compression	H.264 High Profile, MPEG4, M-JPEG		
	Minimum Illumination	Color:0.1Lux@F1.2, B/W:0.01Lux@F1.2, Sense-up:0.001Lux@F1.2		
	Digital Wide Dynamic Range	10 Levels (Adjustable Level Settings)		
	Second Video Output	1.0Vp-p Composite, 75Ω (BNC) or YPbPr		
	Signal to Noise Ratio	More than 52dB (AGC off)		
	Mechanical IR Cut Filter	NA	Automatically Switches (B/W Mode<2Lux, Color Mode>5Lux) ; External	
	IR LED ; Working Distance	NA	Compatible with Infrared Illuminator	
Function	Menu	Can Be Set Via Browser		
	Day&Night Mode	Color / B&W / Auto / External		
	Auto Electronic Shutter	1/100,000 to 1/2 sec.		
	Manual Electronic Shutter	1/2, 1/4, 1/8, 1/15, 1/30, 1/60, 1/120, 1/250, 1/500, 1/750, 1/1,000, 1/1,500, 1/2,000, 1/10,000, 1/100,000 sec.		
	White Balance	Auto_wide / Auto_normal / Sunny / Shadow / Indoor / Lamp / FL1 / FL2		
	DNR ; Sense Up	2D DNR ; Yes		
	Language	English / Japanese / Chinese (Traditional, Simplified) / Russian / Hungarian / German / Persian / Spanish / Polish / Dutch		
	Image Setting	Brightness / Contrast / Saturation / Sharpness / DeNoise / EV Compensation / AWB / WDR / Rotation / Exposure Mode / Exposure Priority / Auto IRIS / Wide Dynamic Range		
	Motion Detection	Yes		
	Timer Clock	Yes		
	Camera Control Interface	Pelco D, Pelco P, Customer		
	Network	Browser	IE 8.0 or Above	
		Ethernet	10/100M Auto Negotiation	
Bit Rate Transmission		64 up to 12,000 Kbps		
Supported Protocols		TCP, UDP, HTTP, SMTP, FTP, NTP, DNS, DHCP, PPPoE, ARP, UPnP, RTSP, RTP, SNMP, TRAP, Ethernet (RJ-45 Wired 10/100 Base-TX)		
Video Streaming		H.264, MPEG4 and M-JPEG Dual/Triple Streaming		
Audio Streaming		Two-way Audio ; G.711 (μLaw), 8KHz/16KHz Sample Rate		
Users		Support 9 Users		
Security		ID/Password Protection		
Alarm Trigger		File Upload via FTP and Email/Notification via Email, HTTP, External Digital Output Activation, micro SD Recording		
Multicast		Support Multicast Function		
General	Connector	YPbPr/Audio, RJ45/PoE, Power, BNC, Reset, RS485, Micro SD Slot, Mini USB Slot		
	Alarm In / Alarm Out	DI/DO		
	Automatic IRIS ; Connector	DC ; D4 IRIS Jack		
	Lens Mount	CS / C mount (With Adaptor Ring)		
	Lens, Angle of View (H)	Please See the Page of Lens Series		
	Water Resistance	NA		
	Max. Breaking Strength	NA		
	Power Supply ; Consumption	12Vdc / PoE ; 4W		
	Operation ; Storage Temp.	-10°C ~ 50°C ; -20°C ~ 60°C		
	Operation ; Storage Humidity	Maximum: RH80% ; RH90%		
Dimensions	62(W)x56(H)x120(L)mm			
Net Weight	350g			
Accessories Option	Lens:SHV-3M2812DAI ; Bracket:MTB-101, MTB-102			

Mechanical IR Cut Filter (ICR)
SNC-WD2131M

1.3MP CMOS Sensor

B/W 0.01 Lux

2D DNR

Sense Up

Motion Detection

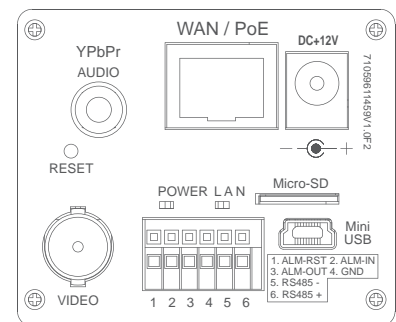
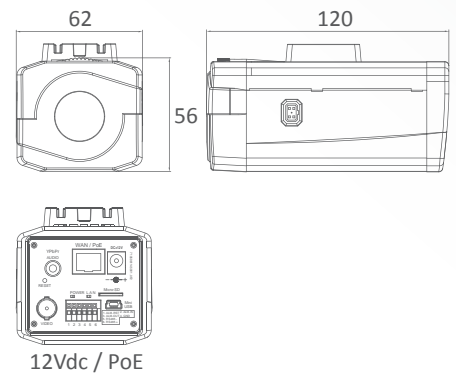
Two Way Audio

Multicast

Support microSD/SDHC

Support PoE

Dimensions



UNIT : mm / TOL : ±0.5



*Specifications are unfixed and do not apply to customized projects. 130329