

1.3 Megapixel (SXGA) WDR IP Box Camera

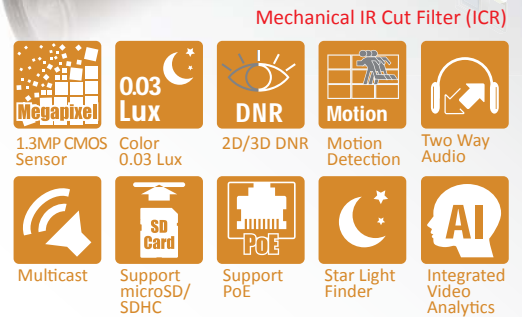
SNC-WD2131MSA

- 1 / 3" Sony 1.3 Megapixel Progressive Exmor™ CMOS Sensor
- 1280x1024@30fps (SXGA) ; H.264 High Profile, MPEG4, M-JPEG
- Color:0.03Lux@F1.2 (Shutter:1/30), B/W:0.001Lux@F1.2 (Shutter:1/30)
- 2D/3D Noise Reduction
- Integrated Video Analytics: Motion Detection & Face Detection
- Two-way Audio & Support Multicast
- Support Micro SD/SDHC Card
- Support 12Vdc / PoE Power Input
- Support ONVIF 2.0 and PSIA

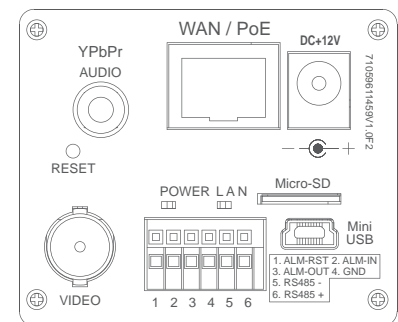
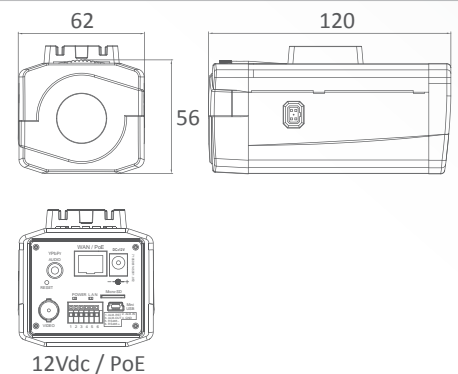


Specifications

Video	Image Sensor	1 / 3" Sony 1.3 Megapixel Progressive Exmor™ CMOS Sensor
	Video Resolution/Frame Rate	1280x1024@30fps (SXGA) ; 1280x960@30fps, 1280x720@30fps, 720x480@30fps
	Video Frame Rate	Up to 30fps for All Video
	Video Compression	H.264 High Profile, MPEG4, M-JPEG
	Minimum Illumination	Color:0.03Lux@F1.2(Shutter:1/30), B/W:0.001Lux@F1.2(Shutter:1/30)
	Digital Wide Dynamic Range	10 Levels (Adjustable Level Settings)
	Second Video Output	1.0Vp-p Composite, 75Ω (BNC) or YPbPr
	Signal to Noise Ratio	More than 52dB (AGC off)
	Mechanical IR Cut Filter	Automatically Switches (B/W Mode<2Lux, Color Mode>5Lux) ; External IR LED ; Working Distance
	IR LED ; Working Distance	Compatible with Infrared Illuminator
Function	Menu	Can Be Set Via Browser
	Day&Night Mode	Color / B&W / Auto / External
	Auto Electronic Shutter	1/100,000 to 1/2 sec.
	Manual Electronic Shutter	1/2, 1/4, 1/8, 1/15, 1/30, 1/60, 1/120, 1/250, 1/500, 1/750, 1/1,000, 1/1,500, 1/2,000, 1/10,000, 1/100,000 sec.
	White Balance	Auto_wide / Auto_normal / Sunny / Shadow / Indoor / Lamp / FL1 / FL2
	DNR ; Sense Up	2D/3D DNR ; Yes
	Language	English / Japanese / Chinese (Traditional, Simplified) / Russian / Hungarian / German / Persian / Spanish / Polish / Dutch
	Image Setting	Brightness / Contrast / Saturation / Sharpness / DeNoise / EV Compensation / AWB / WDR / Rotation / Exposure Mode / Exposure Priority / Auto IRIS / Wide Dynamic Range
	Integrated Video Analytics	Motion Detection & Face Detection
	Timer Clock	Yes
Camera Control Interface	Pelco D, Pelco P, Customer	
Network	Browser	IE 8.0 or Above
	Ethernet	10/100M Auto Negotiation
	Bit Rate Transmission	64 up to 12,000 Kbps
	Supported Protocols	TCP, UDP, HTTP, SMTP, FTP, NTP, DNS, DHCP, PPPoE, ARP, UPnP, RTSP, RTP, SNMP, TRAP, Ethernet (RJ-45 Wired 10/100 Base-TX)
	Video Streaming	H.264, MPEG4 and M-JPEG Dual/Triple Streaming
	Audio Streaming	Two-way Audio ; G.711 (μLaw), 8KHz/16KHz Sample Rate
	Users	Support 9 Simultaneous Users
	Security	ID/Password Protection, IP Address Filtering, User Access Log
	Alarm Trigger	File Upload via FTP and Email/Notification via Email, HTTP, External Digital Output Activation, micro SD Recording
	Multicast	Support Multicast Function
General	Connector	YPbPr/Audio, RJ45/PoE, Power, BNC, Reset, RS485, Micro SD Slot, Mini USB Slot
	Alarm In / Alarm Out	DI/DO
	Automatic IRIS ; Connector	DC ; D4 IRIS Jack
	Lens Mount	CS / C mount (With Adaptor Ring)
	Lens, Angle of View (H)	Please See the Page of Lens Series
	Water Resistance	NA
	Max. Breaking Strength	NA
	Power Supply ; Consumption	12Vdc / PoE ; 4W
	Operation ; Storage Temp.	-10°C ~ 50°C ; -20°C ~ 60°C
	Operation ; Storage Humidity	Maximum: RH80% ; RH90%
Dimensions	62(W)x56(H)x120(L)mm	
Net Weight	350g	
Accessories Option	Lens:SHV-3M2812DAI ; Bracket:MTB-101, MTB-102	



Dimensions



UNIT : mm / TOL : ±0.5



*Specifications are unfixed and do not apply to customized projects. 130515