

1.3 Megapixel WDR Starlight Finder SpeedDome

SNC-WD91M1318S

Preliminary

Wide Dynamic

- 1/3" Sony 1.3 Megapixel Progressive Exmor™ CMOS Sensor
- 1280x1024@30fps (SXGA) ; H.264, MPEG4, M-JPEG
- Color:0.03Lux@F1.2, B/W:0.001Lux@F1.2
- 2D/3D Noise Reduction
- Motion Detection
- Multicast Support
- Support Micro SD/SDHC Card
- Support 12Vdc / PoE Power Input
- Support ONVIF



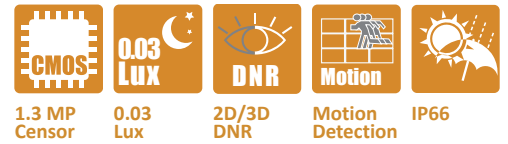
Specifications

Video	Image Sensor	1/3" Sony 1.3 Megapixel Progressive Exmor™ CMOS Sensor	
	Video Resolution/Frame Rate	1280x1024@30fps(SXGA), 1280x960@30fps, 1280x720@30fps, 720x480@30fps	
	Video Frame Rate	Up to 30fps for All Video	
	Video Compression	H.264, MPEG4, M-JPEG	
	Minimum Illumination	Color:0.03Lux@F1.4, B/W:0.001Lux@F1.4	
	WDR/HDR	Yes	
	Second Video Output	1.0Vp-p Composite, 75Ω (BNC)	
	Signal to Noise Ratio	More than 52dB (AGC off)	
	Mechanical IR Cut Filter	Automatically Switches (B/W Mode<2Lux, Color Mode>5Lux); External 30 unis; 10~20m	
	IR LED ; Working Distance	30 unis; 10~20m	
Function	Menu	Can Be Set Via Browser	
	Day&Night Mode	Color / B&W / Auto / External	
	Auto Electronic Shutter	1/100,000 to 1/2 sec.	
	Manual Electronic Shutter	1/2, 1/4, 1/8, 1/15, 1/30, 1/60, 1/120, 1/250, 1/500, 1/750, 1/1,000, 1/1,500, 1/2,000, 1/10,000, 1/100,000 sec.	
	White Balance	Auto_wide / Auto_normal / Sunny / Shadow / Indoor / Lamp / FL1 / FL2	
	DNR ; Sense Up	3D/2D DNR ; ---	
	Language	English / Japanese / Chinese (Traditional, Simplified) / Russian / Hungarian / German / Persian / Spanish / Polish / Dutch	
	Image Setting	Brightness / Contrast / Saturation / Sharpness / DeNoise / EV Compensation / AWB / WDR / Rotation / Exposure Mode / Exposure Priority / Auto IRIS / BLC / ROI	
	Integrated Video Detection	Motion Detection	
	Timer Clock	Yes	
	Camera Control Interface	Pelco D, Pelco P, Customer	
	Network	Browser	IE 8.0 or Above
		Ethernet	10/100M/1000M Auto Negotiation
Bit Rate Transmission		64 up to 12,000 Kbps	
Supported Protocols		TCP IP, UDP, HTTP, SMTP, FTP, NTP, DNS, DHCP, PPPoE, ARP, UPnP, RTSP, RTP, SNMP, TRAP, Ethernet (RJ-45 Wired 10/100/1000M Base-TX)	
Video Streaming		H.264, MPEG4 and M-JPEG Dual/Triple Streaming	
Audio Streaming		---	
Users		Support 9 Users	
Security		ID/Password Protection	
Alarm Trigger		File Upload via FTP and Email/Notification via Email, HTTP, External Digital Output Activation, micro SD Recording	
Multicast		Support Multicast Function	
General	Connector	RJ45, Power, BNC	
	Automatic IRIS ; Connector	Yes; ---	
	Lens Mount	---	
	Lens, Angle of View (H)	18x, f4.7~84.6mm	
	Water Resistance	IP66	
	Max. Breaking Strength	NA	
	Power Supply ; Consumption	24Vdc/24Vac (or PoE); 25~45W	
	Operation ; Storage Temp.	-10°C ~ 50°C ; -20°C ~ 60°C	
	Operation ; Storage Humidity	Maximum: RH80% ; RH90%	
	Dimensions	290x293mm	
Net Weight	4.05kg		
Accessories Option	MTB-901A, MTB-901B, MTB-902, MTB-904, MTB-905		

*Specifications are unfixed and do not apply to customized projects. 0091 140414



Mechanical IR Cut Filter (ICR)

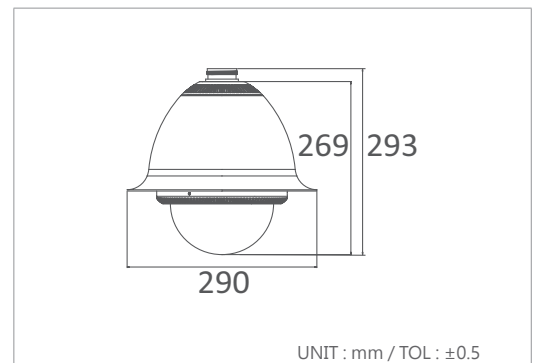


1.3 MP Sensor 0.03 Lux 2D/3D DNR Motion Detection IP66



Multicast Support PoE

Dimensions



UNIT : mm / TOL : ±0.5

Options



MTB-901A,MTB-901B
Ceiling Mount

MTB-902
Wall Mount

MTB-906
Ceiling Mount

MTB-904
Pole Mount

MTB-905
Corner Mount