

SHANY

1.3 Megapixel WDR IP Speed Dome SNC-WD91M1322

Preliminary

- 1/3" 1.3 Megapixel Progressive Exmor™ CMOS Sensor
- 1280x1024@30fps (SXGA) ; H.264, MPEG4, M-JPEG
- Color:0.1Lux@F1.6, B/W:0.05Lux@F1.6, Sense-up:0.0001Lux@F1.6
- 2D/3D Noise Reduction
- Sense Up Function
- Motion Detection
- Support Multicast
- Support 24Vdc/24Vac Power
- Support ONVIF Profile S

Waterproof

Wide Dynamic



Specifications

Video	Image Sensor	1/3" Sony 1.3 Megapixel Progressive Exmor™ CMOS Sensor
	Video Resolution/Frame Rate	1280x1024@30fps(SXGA), 1280x960@30fps,1280x720@30fps, 720x480@30fps
	Video Frame Rate	Up to 30fps for All Video
	Video Compression	H.264, MPEG4, M-JPEG
	Minimum Illumination	Color:0.1Lux@F1.6, B/W:0.05Lux@F1.6, Sense-up:0.0001Lux@F1.6
	WDR;HDR	Yes;---
	Second Video Output	1.0Vp-p Composite, 75Ω (BNC)
	Signal to Noise Ratio	More than 52dB (AGC off)
	Mechanical IR Cut Filter	Automatically Switches (B/W Mode<2Lux, Color Mode>5Lux); External
	IR LED ; Working Distance	---
	Function	Menu
Day&Night Mode		Color / B&W / Auto / External
Auto Electronic Shutter		1/100,000 to 1/60(50) sec.
Manual Electronic Shutter		OFF(1/50(60)), FL 1/125(100), 1/250, 1/500, 1/1,000, 1/2,500, 1/5,000, 1/10,000, 1/30,000, 1/60,000 sec.
White Balance		ATW / AWB / AWC / MANUAL / INDOOR / OUTDOOR
WDR/BLC		HIGH / MIDDLE / LOW / OFF ; ON / HLC / OFF
DNR ; Sense Up		3D (OFF / AUTO: HIGH/MIDDLE/LOW) ; ON (x2~x255) / OFF
Language		English / Japanese / Chinese (Traditional, Simplified) / Russian / Hungarian / German / Persian / Spanish / Polish / Dutch
Image Setting		Brightness / Contrast / Saturation / Sharpness / DeNoise / EV Compensation / AWB / WDR / Rotation / Exposure Mode / Exposure Priority / Auto IRIS / Wide Dynamic Range
Integrated Video Detection		Motion Detection
Timer Clock		Yes
Camera Control Interface		Pelco D, Pelco P, Customer
Network		Browser
	Ethernet	10/100M/1000M Auto Negotiation
	Bit Rate Transmission	64 up to 12,000 Kbps
	Supported Protocols	TCP IP, UDP, HTTP, SMTP, FTP, NTP, DNS, DHCP, PPPoE, ARP, UPnP, RTSP, RTP, SNMP, TRAP, Ethernet (RJ-45 Wired 10/100/1000M Base-TX)
	Video Streaming	H.264, MPEG4 and M-JPEG Dual/Triple Streaming
	Audio Streaming	---
	Users	Support 9 Users
	Security	ID/Password Protection
	Alarm Trigger	File Upload via FTP and Email/Notification via Email, HTTP, External Digital Output Activation
	Multicast	Support Multicast Function
General	Connector	RJ45/Power/BNC
	Heater; Cooler	---;---
	Minimum Working Distance	0.1m(Wide), 0.5m(Tele)
	Focusing System	Auto / Manual / Push AF
	Lens, Angle of View (H)	22X Optical Zoom f4.7mm(Wide)~103mm(Tele), F1.6 to F3.2
	Water Resistance	IP 66
	Max. Breaking Strength	---
	Power Supply ; Consumption	24Vdc / 24Vac ; 25W
	Operation ; Storage Temp.	-10°C ~ 50°C ; -20°C ~ 60°C
	Operation ; Storage Humidity	Maximum: RH80% ; RH90%
	Dimensions	290x293mm
Net Weight	4.05kg	
Accessories Option	---	

*Specifications are unfixed and do not apply to customized projects. 140422

Mechanical IR Cut Filter (ICR)



1.3 MP Sensor



0.0001 Lux



2D/3D DNR



Motion Detection



Multicast

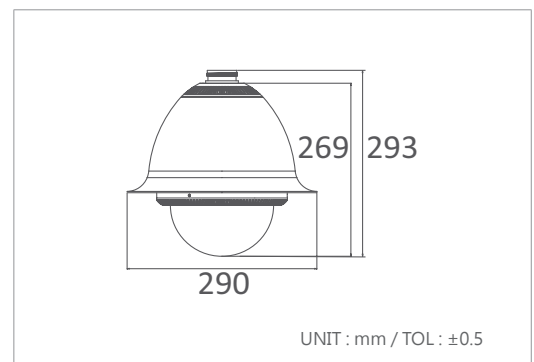


Sense Up Function



IP 66

Dimensions



Options



IP Camera