

MAXIMUS MVXHD

HIGH-SPEC EX-PROOF HD CAMERA IN A COMPACT DESIGN



MAIN FEATURES

- Certifications for use in Zones 1 and 2, IIC T5 and T6 Group (Gas) and in Zones 21 and 22, IICT 100°C and T85°C Group (Dust)
- AISI 316L stainless steel construction
- Shot peened and electro-polished surfaces
- Camera Full HD 1080p, 10x or 30x, 60 frames per second (fps)
- Video compression H.264/AVC and MJPEG
- Day/night (Auto ICR: automatic removal of IR filter)
- Autofocus
- Up to 4 simultaneous video streams
- 1 alarm input and 1 relay output
- 4m (13ft) / 10m (33ft) preinstalled armoured multipolar cable with cable gland or, alternatively, with 4m (13ft) / 10m (33ft) cable tail
- Integrated wiper
- Power supply: 12-24Vdc/24Vac

DESCRIPTION

The Full HD explosion-protected MAXIMUS MVXHD is perfect for effective video surveillance and process control in harsh settings where the presence of gases or flammable dust can create a potentially explosive environment, a reality often found in the oil and gas industries or marine and industrial sectors.

The Full HD, 1080p, 60fps, MVXHD camera with 10x or 30x motorised zoom lens for easier setup, offers multiple video streams (H.264/AVC or MJPEG) and provides exceptional image quality, picking out every detail in a scene, even in the harshest environmental conditions.

One striking advantage offered by these cameras is their extremely easy and secure “plug and play” installation, with multipolar wiring. These cameras arrive ready to use, avoiding the complex electrical connections that are typical of this type of device.

The housing is compact yet functional and is made entirely out of AISI316L stainless steel. Its resistance to corrosion is not only guaranteed, but is also enhanced by way of polishing processes.

Another important feature of the camera is the extended certification temperature range of -60°C to 65°C, along with a sophisticated cold start system, which allows it to operate in harsh environments as standard.

An equally noteworthy point is that the IP66/IP68 ratings guarantee the complete protection against harsh weather and submersion in up to 5 metres of water for 2 hours. Moreover, the IP69 rating allows the device to be cleaned with high pressure water jets.

These cameras come with wipers and an explosion-proof washer kit is also available, allowing for flawless, maintenance-free cleaning of the front glass.

The MAXIMUS MVX range of cameras meets every installation need, providing maximum performance and excellent value for money.



MVXHD



MVXHD + NXWBS1



WASEX - STAINLESS STEEL WASHER PUMP WITH EX-PROOF SOLENOID VALVE FOR MAXIMUS RANGE (REF. ACCESSORIES IN TECHNICAL DATA)



TECHNICAL DATA

GENERAL

AlSi 316L stainless steel construction
Shot peened and electro-polished surfaces
Silicone O-ring seals

MECHANICAL

Sunshield
Integrated wiper
Unit weight:

- 8.5kg (18.7lb) (housing with 4m multi-polar cable shield)
- 12kg / 26.5lb (housing with 10m multi-polar cable shield)

CABLE GLANDS

Cable entry: 1 hole, 3/4", NPT
Cable gland with gasket Ex d 3/4"NPT and 4m/10m (13ft/33ft) preinstalled multipolar armored cable or with 4m/10m (13ft/33ft) cable tail

HOUSING'S WINDOW

Material: Thermally tempered glass
Dimensions: 51x41mm (2x1.6in)
Thick: 12mm (0.47in)

ELECTRICAL

Supply voltage/Current consumption

- 24Vac, 2.2A, 50/60Hz
- 24Vdc, 2.2A
- 12Vdc, 3.5A

Heater (Ton 15°C±3°C (59°F ±5°F), Toff 22°C±3°C (72°F±5°F))

Armoured cable:

- external diameter = 20.00 ± 0.50mm (0.79±0.20in)
- diameter under armature = 15.20mm (0.60in)
- colour: Black RAL 9005

Armoured cable composition:

- 3 x 2.5mm²
- 7 x 0.34mm²
- 4 x 2 x 0.22mm² (cat. 5E)

Cable tail composition:

- 3 x 2.5mm², rated external diameter = 8.7mm (0.34in)
- 7 x 0.34mm², rated external diameter = 6.4mm (0.25in)
- 4 x 2 x 0.21mm², (cat. 5E), rated external diameter = 6.7mm (0.26in)

NETWORK

Connector:

- RJ45, 10BASE-T/100BASE-T

Cable length: 100m max

VIDEO

Video encoder

- Communication protocol: ONVIF, Profile S
- Device configuration: TCP/IPv4-IPv6, UDP/IPv4-IPv6, HTTP, NTP, DHCP, WS-DISCOVERY, QoS, IGMP (Multicast)
- Streaming: RTSP, RTCP, RTP/IPv4
- Video compression: H.264/AVC, MJPEG
- 2 independent video streams Full HD or 4 independent video streams depending on the configuration
- Image resolution: from FullHD to 352x240 in 18 steps
- Selectable frame rate from 1 to 60 images per second (fps)
- Web Server

I/O INTERFACE

I/O alarm card

- Alarm inputs: 1
- Relay outputs: 1 (1A, 30Vac/60Vdc max)

CAMERA

Day/Night Full HD 10x

Image Device: 1/2.8 type Exmor™ CMOS sensor

Effective Pixels: approx. 2.38 Megapixels

Minimum Illumination, color (ICR-OFF):

- 1.4lx 1/30s 50% (Normal mode)
- 0.35lx, 1/30s, 50% (High sensitivity mode)
- 0.19lx 1/3s 50% (Normal mode)
- 0.05lx, 1/3s, 50% (High sensitivity mode)

Minimum Illumination, B/W (ICR-ON):

- 0.12lx 1/30s 50% (Normal mode)
- 0.03lx, 1/30s, 50% (High sensitivity mode)
- 0.002lx, 1/3s, 30% (High sensitivity mode)

Lens: f=3.8 mm (wide) ~ 38 mm (tele), from F1.8 to F3.4

Zoom: 10x (120x with digital zoom)

Horizontal Viewing Angle: 67° (wide end), 7.6° (tele end)

Minimum object distance: 10mm (wide) ~ 800mm (tele)

Electronic Shutter: 1/1 to 1/10000 s, 22 steps

White balance: Auto, ATW, Indoor, Outdoor, Outdoor Auto, Sodium vapor lamp (Fix, Auto, Outdoor Auto), One-push, Manual

Gain: Auto, Manual, Gain Limit (from 3dB up to 43dB, steps: 3dB)

Wide Dynamic Range: On/Off/Visibility enhancer, Light level, Brightness compensation selection, Compensation level

Focus System: Auto (Sensitivity: Normal, Low), One-push AF, Manual, Focus compensation with ICR On, Interval AF, Zoom trigger AF

Picture Effects: E-flip, Black & White, Mirror image, Color enhancement, Negative art

Exposure Control: Auto, EV Compensation, Manual, Priority (Shutter priority, Iris priority), Brightness, Slow AE

S/N Ratio: more than 50dB

Wide-D (wide dynamic range): 130dB

De-fog: On/Off

Day/Night Full HD 30x

Resolution: Full HD (1920x1080)

Image Device: 1/2.8 type Exmor™ CMOS sensor

Effective Pixels: approx. 2.38 Megapixels

Minimum Illumination, colour (ICR-OFF):

- 1.4lx, 1/30s, 50 IRE (Normal mode)
- 0.35lx, 1/30s, 50 IRE (High sensitivity mode)
- 0.19lx, 1/3s, 50 IRE (Normal mode)
- 0.05lx, 1/3s, 50 IRE (High sensitivity mode)

Minimum Illumination, B/W (ICR-ON):

- 0.05lx, 1/30s, 50 IRE (Normal mode)
- 0.013lx, 1/30s, 50 IRE (High sensitivity mode)
- 0.002lx, 1/3s, 30 IRE (High sensitivity mode)

Lens: f=4.3 mm (wide) ~ 129.0 mm (tele), from F1.6 to F4.7

Zoom: 30x (360x with digital zoom)

Horizontal Viewing Angle: from 63.7° (wide end) up to 2.3° (tele end)

Minimum object distance: from 10mm (wide) up to 1200mm (tele)

Electronic Shutter: 1/1 to 1/10000 s, 22 steps

White balance: Auto, ATW, Indoor, Outdoor, Outdoor Auto, Sodium vapor lamp (Fix, Auto, Outdoor Auto), One-push, Manual

Gain: Auto, Manual, Gain Limit (from 3dB up to 43dB, steps: 3dB)

Wide Dynamic Range: On/Off/Visibility enhancer, Light level, Brightness compensation selection, Compensation level

Focus System: Auto (Sensitivity: Normal, Low), One-push AF, Manual, Focus compensation with ICR On, Interval AF, Zoom trigger AF

Picture Effects: E-flip, Mirror image, Color enhancement

Exposure Control: Auto, EV Compensation, Manual, Priority (Shutter priority, Iris priority), Brightness, Slow AE

S/N Ratio: more than 50dB

Wide-D (wide dynamic range): 130dB

De-fog: On/Off

ENVIRONMENT

For installation indoors and outdoors

Operating temperature:

- Cold start from -40°C (-40°F) up to +65°C (149°F)
- Running from -50°C (-58°F) up to +65°C (149°F)

Relative humidity: from 10% up to 95% (no condensation)

CERTIFICATIONS

ATEX (EN 60079-0: 2012, EN 60079-1: 2014, EN 60079-31: 2014)

IECEX (IEC 60079-0: 2011 Ed.6, IEC 60079-1: 2014-06 Ed.7, IEC 60079-31: 2013 Ed.2)

INMETRO (ABNT NBR IEC 60079-0:2008 + Errata 1:2011, ABNT NBR IEC 60079-1:2009 + Errata 1:2011, ABNT NBR IEC 60079-31:2011)

EAC Ex (TR CU 012/2011)

ETL listed for USA (UL 60079-0: Ed: 6, UL 60079-1:Ed:6, UL 60079-31: Ed.2), cable tail versions

ETL listed for Canada (C22.2-60079-0:2015, CSA C22.2-60079-1Ed: 2 CSA C22.2-60079-31Ed: 1), cable tail versions

TYPE 6P, TYPE 4X (UL50E)

IP69 (EN/IEC60529), housing only

IP66/IP68 (2 hours, 5m (16ft), EN/IEC60529)

ACCESSORIES

WASEX2T4AT	Tank 10l with integrated manual pump controlled by ATEX certified solenoid valve, delivery head up to 20m (66ft) max, IN 24Vac/Vdc
WASEX2T4GOR	Tank 10l with integrated manual pump controlled by EAC EX certified solenoid valve, delivery head up to 20m (66ft) max, IN 24Vac/Vdc
WASEX2T4IN	Tank 10l with integrated manual pump controlled by INMETRO certified solenoid valve, delivery head up to 20m (66ft) max, IN 24Vac/Vdc
OCTEXP3/4C	Conduit cable gland nickel-plated brass 3/4" NPT IECEX-ATEX- c CSA us - EAC Ex

BRACKETS AND ADAPTORS

NXWBS1	AISI 316L stainless steel wall bracket with joint
MHXWFWCA	AISI316L stainless steel ball joint
NXFWBT	AISI 316L stainless steel parapet mounting bracket
NXCOL	AISI 316L stainless steel pole adapter module
NXCW	AISI 316L stainless steel corner adapter module

PACKAGE

Model Number	Weight	Dimensions (WxHxL)	Master carton
MVXHD2FOWAZ00A	12.5kg (28lb)	60x30x60cm (24x12x24in)	-

MVX RANGE - MULTIPOLAR CABLE		
Certification	Marking	Environment temperature
ATEX	⊕ II 2 G Ex d IIC T5 Gb ⊕ II 2 D Ex tb IIIC T100°C Db IP66/IP68	-60°C ≤ Ta ≤ +65°C
	⊕ II 2 G Ex d IIC T6 Gb ⊕ II 2 D Ex tb IIIC T85°C Db IP66/IP68	-60°C ≤ Ta ≤ +55°C
IECEX	Ex d IIC T5 Gb Ex tb IIIC T100°C Db IP66/IP68	-60°C ≤ Ta ≤ +65°C
	Ex d IIC T6 Gb Ex tb IIIC T85°C Db IP66/IP68	-60°C ≤ Ta ≤ +55°C
INMETRO	Ex d IIC T5 Gb Ex tb IIIC T100°C Db IP66/IP68	-60°C ≤ Ta ≤ +65°C
	Ex d IIC T6 Gb Ex tb IIIC T85°C Db IP66/IP68	-60°C ≤ Ta ≤ +55°C
EAC Ex	Ex II 2G Ex d IIC T5 Gb Ex II 2D Ex tb IIIC T100°C Db IP66/IP68	-60°C ≤ Ta ≤ +65°C
	Ex II 2G Ex d IIC T6 Gb Ex II 2D Ex tb IIIC T85°C Db IP66/IP68	-60°C ≤ Ta ≤ +55°C

MVX FAMILY - CABLE TAIL		
Certification	Marking	Environment temperature
ATEX	⊕ II 2 G Ex d IIC T5 Gb ⊕ II 2 D Ex tb IIIC T100°C Db IP66/IP68	-50°C ≤ Ta ≤ +65°C
	⊕ II 2 G Ex d IIC T6 Gb ⊕ II 2 D Ex tb IIIC T85°C Db IP66/IP68	-50°C ≤ Ta ≤ +55°C
IECEX	Ex d IIC T5 Gb Ex tb IIIC T100°C Db IP66/IP68	-50°C ≤ Ta ≤ +65°C
	Ex d IIC T6 Gb Ex tb IIIC T85°C Db IP66/IP68	-50°C ≤ Ta ≤ +55°C
INMETRO	Ex d IIC T5 Gb Ex tb IIIC T100°C Db IP66/IP68	-50°C ≤ Ta ≤ +65°C
	Ex d IIC T6 Gb Ex tb IIIC T85°C Db IP66/IP68	-50°C ≤ Ta ≤ +55°C
EAC Ex	Ex II 2G Ex d IIC T5 Gb Ex II 2D Ex tb IIIC T100°C Db IP66/IP68	-50°C ≤ Ta ≤ +65°C
	Ex II 2G Ex d IIC T6 Gb Ex II 2D Ex tb IIIC T85°C Db IP66/IP68	-50°C ≤ Ta ≤ +55°C
Hazardous Location America	Class I Zone 1 AEx d IIC T5 Gb Class I Div 2 Group A, B, C & D T5 Zone 21 AEx tb IIIC T100°C Db Class II Div 2 Group E, F & G T100°C	-50°C ≤ Ta ≤ +65°C
	Class I Zone 1 AEx d IIC T6 Gb Class I Div 2 Group A, B, C & D T6 Zone 21 AEx tb IIIC T85°C Db Class II Div 2 Group E, F & G T85°C	-50°C ≤ Ta ≤ +55°C
Hazardous Location Canada	Ex d IIC T5 Gb Class I Div 2 Group A, B, C, D T5 Ex tb IIIC T100°C Db Class II Div 2 Group E, F and G T100°C	-50°C ≤ Ta ≤ +65°C
	Ex d IIC T6 Gb Class I Div 2 Group A, B, C, D T6 Ex tb IIIC T85°C Db Class II Div 2 Group E, F and G T85°C	-50°C ≤ Ta ≤ +55°C

MAXIMUS MVXHD- CONFIGURATION OPTIONS WITH CABLE GLAND WITH GASKET AND SHIELDED CABLE

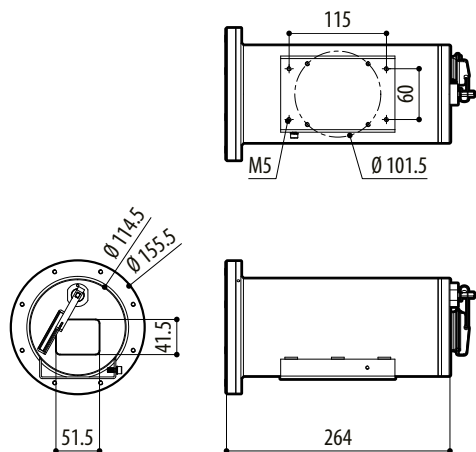
	Voltage	Camera		Connections	Video Output	Models	
MVXHD	2 12-24Vdc/ 24Vac	G0 Day/Night camera 10X zoom, FullHD	W With wiper	A Cable gland with gasket Ex d 3/4" NPT and 4m (13ft) armored cable	Z IP H.264/AVC control, Protocol ONVIF Profile S	00 T5 -60°C/+65°C	A
		F0 Day/Night camera 30X zoom, FullHD		B Cable gland with gasket Ex d 3/4" NPT and 10m (33ft) armored cable		02 T6 -60°C/+55°C	

MAXIMUS MVXHD- CONFIGURATION OPTIONS WITH CABLE TAIL

	Voltage	Camera		Connections	Video Output	Models	
MVXHD	2 12-24Vdc/ 24Vac	G0 Day/Night camera 10X zoom, FullHD	W With wiper	F 4m (13ft) cable tail	Z IP H.264/AVC control, Protocol ONVIF Profile S	01 T5 -50°C/+65°C	A
		F0 Day/Night camera 30X zoom, FullHD		G 10m (33ft) cable tail		03 T6 -50°C/+55°C	

TECHNICAL DRAWINGS

The dimensions of the drawings are in millimetres.



MAXIMUS MVXHD