

# FLEXIDOME IP outdoor 4000 HD

www.boschsecurity.com



**BOSCH**  
Invented for life



- ▶ Outdoor IP dome camera with varifocal lens
- ▶ 720p resolution for sharp images
- ▶ Fully configurable quad streaming
- ▶ Regions of interest and E-PTZ
- ▶ IR version with 15 m (50 ft) viewing distance

The 720p outdoor dome cameras from Bosch are professional surveillance cameras that provide high quality HD images for demanding security and surveillance network requirements. These domes are true day/night cameras offering excellent performance day or night.

There is a version with a built-in active infrared illuminator that provides high performance in extreme low-light environments.

## System overview

### Vandal resistant outdoor dome with varifocal lens

Ideal for outdoor use, the IK10-rated design is suitable for installations where a vandal resistance is important. The camera is protected against water and dust to IP66 standards. The varifocal lens allows you to choose the coverage area to best suit your application. Mounting options are numerous, including surface, wall, and suspended-ceiling mounting.

## Functions

### Intelligent Dynamic Noise Reduction reduces bandwidth and storage requirements

The camera uses Intelligent Dynamic Noise Reduction which actively analyzes the contents of a scene and reduces noise artifacts accordingly.

The low-noise image and the efficient H.264 compression technology provide clear images while reducing bandwidth and storage by up to 50% compared to other H.264 cameras. This results in reduced-bandwidth streams that still retain a high image quality and smooth motion. The camera provides the most usable image possible by cleverly optimizing the detail-to-bandwidth ratio.

### Area-based encoding

Area-based encoding is another feature which reduces bandwidth. Compression parameters for up to eight user-definable regions can be set. This allows uninteresting regions to be highly compressed, leaving more bandwidth for important parts of the scene.

### Bitrate optimized profile

The average typical optimized bandwidth in kbits/s for various image rates is shown in the table:

fps	720p	480p
30	1200	600
15	955	478
12	877	438

5	568	284
2	245	122

### Multiple streams

The innovative multi-streaming feature delivers various H.264 streams together with an M-JPEG stream. These streams facilitate bandwidth-efficient viewing and recording as well as integration with third-party video management systems.

Depending on the resolution and frame rate selected for the first stream, the second stream provides a copy of the first stream or a lower resolution stream.

The third stream uses the I-frames of the first stream for recording; the fourth stream shows a JPEG image at a maximum of 10 Mbit/s.

### Regions of interest and E-PTZ

Regions of Interest (ROI) can be user defined. The remote E-PTZ (Electronic Pan, Tilt and Zoom) controls allow you to select specific areas of the parent image. These regions produce separate streams for remote viewing and recording. These streams, together with the main stream, allow the operator to separately monitor the most interesting part of a scene while still retaining situational awareness.

### Two-way audio and audio alarm

Two-way audio allows the operator to communicate with visitors or intruders via an external audio line input and output. Audio detection can be used to generate an alarm if needed.

### Tamper and motion detection

A wide range of configuration options is available for alarms signaling camera tampering. A built-in algorithm for detecting movement in the video can also be used for alarm signaling.

### Storage management

Recording management can be controlled by the Bosch Video Recording Manager (VRM) or the camera can use iSCSI targets directly without any recording software.

### Edge recording

The microSD card slot supports up to 2 TB of storage capacity. A microSD card can be used for local alarm recording. Pre-alarm recording in RAM reduces recording bandwidth on the network, or – if microSD card recording is used – extends the effective life of the storage medium.

### Cloud-based services

The camera supports time-based or alarm-based JPEG posting to four different accounts. These accounts can address FTP servers or cloud-based storage facilities (for example, Dropbox). Video clips or JPEG images can also be exported to these accounts.

Alarms can be set up to trigger an e-mail or SMS notification so you are always aware of abnormal events.

### Easy installation

Power for the camera can be supplied via a Power-over-Ethernet compliant network cable connection. With this configuration, only a single cable connection is required to view, power, and control the camera. Using PoE makes installation easier and more cost-effective, as cameras do not require a local power source.

The camera can also be supplied with power from +12 VDC power supplies.

For trouble-free network cabling, the camera supports Auto-MDIX which allows the use of straight or cross-over cables.

### True day/night switching

The camera incorporates mechanical filter technology for vivid daytime color and exceptional night-time imaging while maintaining sharp focus under all lighting conditions.

### Hybrid mode

An analog video output enables the camera to operate in hybrid mode. This mode provides simultaneous high resolution HD video streaming and an analog video output via an SMB connector. The hybrid functionality offers an easy migration path from legacy CCTV to a modern IP-based system.

### Access security

Password protection with three levels and 802.1x authentication is supported. To secure Web browser access, use HTTPS with a SSL certificate stored in the camera.

### Complete viewing software

There are many ways to access the camera's features: using a web browser, with the Bosch Video Management System, with the free-of-charge Bosch Video Client or Video Security Client, with the video security mobile app, or via third-party software.

### Video security app

The Bosch video security mobile app has been developed to enable Anywhere access to HD surveillance images allowing you to view live images from any location. The app is designed to give you complete control of all your cameras, from panning and tilting to zoom and focus functions. It's like taking your control room with you.

This app, together with the separately available Bosch transcoder, will allow you to fully utilize our dynamic transcoding features so you can play back images even over low-bandwidth connections.

### System integration

The camera conforms to the ONVIF Profile S, ONVIF Profile Q and ONVIF Profile G specifications. Compliance with these standards guarantees interoperability between network video products regardless of manufacturer.

Third-party integrators can easily access the internal feature set of the camera for integration into large projects. Visit the Bosch Integration Partner Program (IPP) website ([ipp.boschsecurity.com](http://ipp.boschsecurity.com)) for more information.

### Certifications and approvals

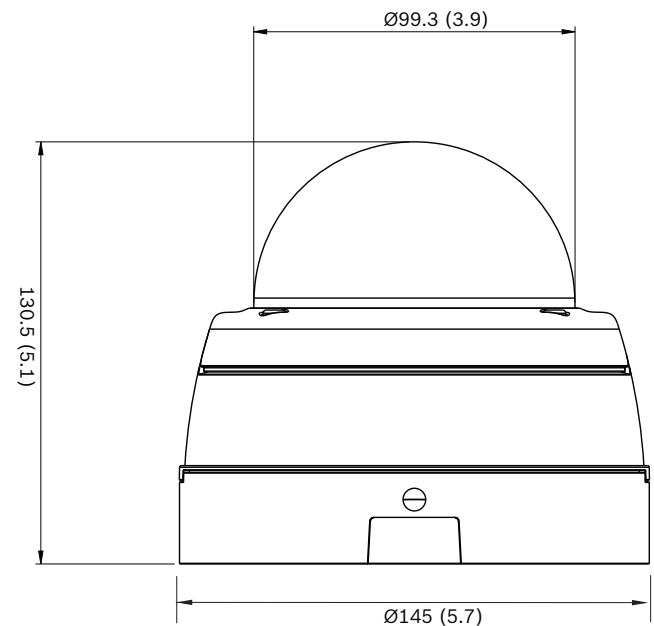
#### HD standards

Complies with the SMPTE 296M-2001 Standard in:

- Resolution: 1280x720
- Scan: Progressive
- Color representation: complies with ITU-R BT.709
- Aspect ratio: 16:9
- Frame rate: 25 and 30 frames/s

<b>Standards</b>	IEC 62471 (IR version)
	EN 60950-1
	UL 60950-1
	UL 60950-22
	CAN/CSA-C22.2 NO. 60950-1-03
	CAN/CSA-C22.2 NO. 60950-22
	EN 50130-4
	EN 50130-5
	FCC Part15 Subpart B, Class B
	EMC directive 2004/108/EC
	EN 55022 class B
	EN 55024
	AS/NZS CISPR 22 (equal to CISPR 22)
	ICES-003 Class B
	VCCI J55022 V2/V3
	EN 50121-4
	EN 60950-22
<b>ONVIF compliance</b>	EN 50132-5-2; IEC 62676-2-3
<b>Product certifications</b>	CE, FCC, UL, cUL, RCM, CB, VCCI
<b>Ingress protection</b>	IP66, NEMA Type 4X
<b>Impact protection</b>	IK10
<b>Region</b>	<b>Certification</b>
Europe	CE Outdoor 4000_5000
USA	UL Outdoor 4000_5000

### Installation/configuration notes



Dimensions mm (inch)

### Parts included

- Camera
- Screw kit
- Desiccant
- Conduit adapter kit
- Installation documentation

### Technical specifications

<b>Power</b>	
Input voltage	+12 VDC or Power-over-Ethernet (48 VDC nominal)
Power consumption	3.8 W max. 6.3 W max. (IR version)
PoE	IEEE 802.3af (802.3at Type 1) Power level: Class 2
<b>Sensor</b>	
Sensor type	1/2.7-inch CMOS
Active pixels	1280 x 960
<b>Video performance - Sensitivity</b>	
Sensitivity – (3200K, reflectivity 89%, F1.5, 30IRE)	
Color	0.24 lx
Mono	0.05 lx
With IR	0.0 lx

**Video performance - Dynamic range**

Dynamic range	76 dB WDR
---------------	-----------

**Video streaming**

Video compression	H.264 (MP); M- JPEG
Streaming	Multiple configurable streams in H.264 and M-JPEG, configurable frame rate and bandwidth. Regions of Interest (ROI)

Overall IP Delay	Min. 120 ms, Max. 340 ms
------------------	--------------------------

GOP structure	IP, IBP, IBBP
---------------	---------------

Encoding interval	1 to 25 [30] ips
-------------------	------------------

Encoder regions	Eight independent areas for setting encoder quality to optimize bitrate.
-----------------	--

**Video resolution (H x V)**

720p HD	1280 x 720
---------	------------

1.3 MP (4:3)	1280 x 960
--------------	------------

Upright 9:16 (cropped)	400 x 720
------------------------	-----------

D1 4:3 (downscaled/cropped)	704 x 480
-----------------------------	-----------

480p SD	Encoding: 704 x 480; Displayed: 854 x 480
---------	--

432p SD	768 x 432
---------	-----------

288p SD	512 x 288
---------	-----------

240p SD	Encoding: 352 x 240; Displayed: 432 x 240
---------	--

144p SD	256 x 144
---------	-----------

**Video functions**

Day/Night	Color, Monochrome, Auto
-----------	-------------------------

Adjustable picture settings	Contrast, Saturation, Brightness
-----------------------------	----------------------------------

White Balance	4 automatic modes, manual mode and measure
---------------	--

Shutter	Automatic Electronic Shutter (AES); Fixed (1/12 to 1/15000) selectable; Default shutter
---------	---

Backlight compensation	On/off
------------------------	--------

Noise reduction	Intelligent Dynamic Noise Reduction with separate temporal and spatial adjustments
-----------------	--

Contrast enhancement	On/off
----------------------	--------

Sharpness	Sharpness enhancement level selectable
-----------	--

**Video functions**

Intelligent defog	Intelligent Defog automatically adjusts parameters for best picture in foggy or misty scenes (switchable)
-------------------	---

Privacy Masking	Eight independent areas, fully programmable
-----------------	---

Video Analysis	MOTION+
----------------	---------

Other functions	Image mirror, Image flip, Pixel counter, Video watermarking, Display stamping, Scene modes, Location
-----------------	--

**Night vision (IR version only)**

Distance	15 m (50 ft)
----------	--------------

LED	10 LED high efficiency array, 850 nm
-----	--------------------------------------

IR intensity	Adjustable
--------------	------------

**Optical**

Lens type	Varifocal 3.3 to 10 mm, DC Iris F1.5 – 360, IR corrected
-----------	--

Lens mount	Board mounted
------------	---------------

Day/Night	Switched mechanical IR filter
-----------	-------------------------------

Horizontal field of view	35.3° - 105.5°
--------------------------	----------------

Vertical field of view	19.7° - 55.4°
------------------------	---------------

**Input/output**

Analog video out	SMB connector, CVBS (PAL/NTSC), 1 Vpp, 75 Ohm
------------------	---

Audio line in	0.707 Vrms max, 10 kOhm typical, jack connector
---------------	---

Audio line out	0.707 Vrms at 16 Ohm typical, jack connector
----------------	--

Alarm input	1 input
-------------	---------

Alarm input activation	Short or DC 5V activation
------------------------	---------------------------

Alarm output	1 output
--------------	----------

Alarm output voltage	30 VDC, max. load 0.5 A
----------------------	-------------------------

Ethernet	RJ45
----------	------

**Audio streaming**

Standard	G.711, 8 kHz sampling rate L16, 16 kHz sampling rate AAC-LC, 48 kbps at 16 kHz sampling rate AAC-LC, 80 kbps at 16 kHz sampling rate
----------	---

Signal-to-Noise Ratio	>50 dB
-----------------------	--------

Audio Streaming	Full-duplex / half duplex
-----------------	---------------------------

Local storage	
Internal RAM	10 s pre-alarm recording
Memory card slot	Supports up to 32 GB microSDHC / 2 TB microSDXC card. (An SD card of Class 6 or higher is recommended for HD recording)
Recording	Continuous recording, ring recording, alarm/ events/schedule recording
Software	
Unit discovery	IP Helper
Unit configuration	Via web browser or Configuration Manager
Firmware update	Remotely programmable
Software viewing	Web browser; Video Security Client; Video Security App; Bosch Video Management System; Bosch Video Client; or third party software
Latest firmware and software	<a href="http://downloadstore.boschsecurity.com/">http://downloadstore.boschsecurity.com/</a>
Network	
Protocols	IPv4, IPv6, UDP, TCP, HTTP, HTTPS, RTP/ RTCP, IGMP V2/V3, ICMP, ICMPv6, RTSP, FTP, Telnet, ARP, DHCP, APIPA (Auto-IP, link local address), NTP (SNTP), SNMP (V1, MIB-II), 802.1x, DNS, DNSv6, DDNS (DynDNS.org, selfHOST.de, no-ip.com), SMTP, iSCSI, UPnP (SSDP), DiffServ (QoS), LLDP, SOAP, Dropbox, CHAP, digest authentication
Encryption	TLS 1.2, SSL, DES, 3DES
Ethernet	10/100 Base-T, auto-sensing, half/full duplex
Connectivity	Auto-MDIX
Interoperability	ONVIF Profile S; ONVIF Profile G ; ONVIF Profile Q GB/T 28181
Mechanical	
3-axis adjustment (pan/tilt/rotation)	350° / 130° / 330°
Dimensions	Diameter: 145 mm (5.71 in) Height: 131 mm (5.14 in)
Weight	1102 g (2.43 lb) approx.
Color	RAL 9004, RAL 9010
Environmental	
Operating temperature	-40 °C to +50 °C (-40 °F to +122 °F) for continuous operation;

Environmental	
	-34 °C to +74 °C (-30 °F to +165 °F) according to NEMA TS 2-2003 (R2008), para 2.1.5.1 using fig. 2.1 test profile
Storage temperature	-40 °C to +70 °C (-40 °F to +158 °F)
Humidity	20% to 90% relative humidity (non condensing)

### Ordering information

#### FLEXIDOME IP outdoor 4000 HD

Vandal-resistant IP dome camera for outdoor HD surveillance. Varifocal 3.3 to 10 mm f1.5 lens; IP66; IK10; IDNR; day/night; H.264 quad-streaming; cloud services; motion/tamper/audio detection; 720p  
Order number **NDN-41012-V3**

#### FLEXIDOME IP outdoor 4000 IR

Vandal-resistant IP dome camera for outdoor HD surveillance. Varifocal 3.3 to 10 mm f1.5 lens; IP66; IK10; IDNR ; day/night; H.264 quad-streaming; cloud services; motion/tamper/audio detection; 720p; infrared  
Order number **NDI-41012-V3**

#### Accessories

##### NDA-LWMT-DOME Dome Wall Mount

Sturdy wall L-shaped bracket for dome cameras  
Order number **NDA-LWMT-DOME**

##### VDA-WMT-AODOME Outdoor Wall Mount

Sturdy outdoor wall mount bracket for dome cameras (Ø166 mm)  
Order number **VDA-WMT-AODOME**

##### VDA-PMT-AODOME Outdoor Pipe Mount

Sturdy outdoor pipe mount bracket for dome cameras (Ø166 mm)  
Order number **VDA-PMT-AODOME**

##### LTC 9213/01 Pole Mount Adapter

Flexible pole mount adapter for camera mounts (use together with the appropriate wall mount bracket). Max. 9 kg (20 lb); 3 to 15 inch diameter pole; stainless steel straps  
Order number **LTC 9213/01**

##### NDA-FMT-DOME In-ceiling mount

In-ceiling flush mounting kit for dome cameras (Ø157 mm)  
Order number **NDA-FMT-DOME**

##### NDA-ADT4S-MINDOME 4S Surface Mount Box

Surface mount box (Ø145 mm / Ø5.71 in) for dome cameras (use together with the appropriate dome adapter bracket).  
Order number **NDA-ADT4S-MINDOME**

**Monitor/DVR Cable SMB 0.3M**

0.3 m (1 ft) analog cable, SMB (female) to BNC (female) to connect camera to coaxial cable

Order number **NBN-MCSMB-03M**

---

**Monitor/DVR Cable SMB 3.0M**

3 m (9 ft) analog cable, SMB (female) to BNC (male) to connect camera to monitor or DVR

Order number **NBN-MCSMB-30M**

---

**IP66 I/O Cable**

An IP66 certified cable for easy waterproof installation

Order number **NDN-IOC-30M**

---

**NPD-5001-POE Midspan PoE Injector**

Power-over-Ethernet midspan injector for use with PoE enabled cameras; 15.4 W, 1-port

Order number **NPD-5001-POE**

---

**NPD-5004-POE Midspan PoE Injector**

Power-over-Ethernet midspan injectors for use with PoE enabled cameras; 15.4 W, 4-ports

Order number **NPD-5004-POE**

---

**Represented by:**

**Europe, Middle East, Africa:**

Bosch Security Systems B.V.  
P.O. Box 80002  
5600 JB Eindhoven, The Netherlands  
Phone: + 31 40 2577 284  
emea.securitysystems@bosch.com  
emea.boschsecurity.com

**North America:**

Bosch Security Systems, Inc.  
130 Perinton Parkway  
Fairport, New York, 14450, USA  
Phone: +1 800 289 0096  
Fax: +1 585 223 9180  
onlinehelp@us.bosch.com  
www.boschsecurity.us

**Asia-Pacific:**

Robert Bosch (SEA) Pte Ltd, Security Systems  
11 Bishan Street 21  
Singapore 573943  
Phone: +65 6571 2808  
Fax: +65 6571 2699  
apr.securitysystems@bosch.com  
www.boschsecurity.asia