

NXE3055VR

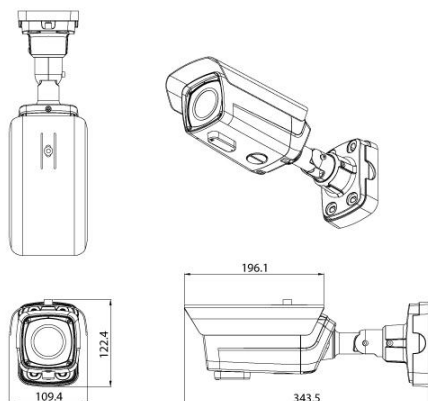
SPECIFICATIONS

[CAMERA]	
Image Sensor	1/3" Progressive CMOS Sensor
Scanning System	16:9 Progressive
Effective Pixels	1920 (H) x 1080 (V) 2.0 Mega
Horizontal Resolution	1100 TV Lines
Lens	Built-in DC Iris Vari-focal Lens (f=3~9mm, F1.2)
Day & Night System	TDN(ICR)
IR LED and Sensor	36EA (850nm, 45°) & Sensor 1EA
Min. Illumination	0.01Lux (Color) / 0.0Lux (IR LED On)
OSD	Control On/Off over IP (Menu, Time/Date)
Flickerless	On/Off
White Balance	Auto/Manual/Push
Exposure	Auto/Manual
WDR	On/Off
3D-DNR / 2D-DNR	On/Off (20 Step)
Privacy Zone	Select 10 Zone – each area
Functions	BLC, Color, B/W
Electronic Shutter Speed	1/30~1/30,000 (12 Step) 1/25~1/30,000 (12 Step)
[VIDEO]	
Compression	H.264 / MJPEG
Resolution	Full HD, SXGA, 720P, XGA, D1, VGA, CIF, QVGA
Audio	Two-way (full duplex / ADPCM G.711)
[NETWORK]	
Protocol	IPv4, HTTP, TCP, RTSP, RTP, RTCP, UDP, SMTP, FTP, ICMP, DHCP, UPnP, Bonjour, ARP, DNS, DynDNS, NTP, Multicast *) Onvif, IPv6, HTTPS, QoS, SNMP
Supported DDNS	Supported (CNB DDNS)
LAN Interface	Ethernet 10/100 Base-T (RJ-45 Type)
[SECURITY]	
Access level setup	Multiple user access levels with password protection
Network Security	IP Filtering
[ALARM & EVENT]	
Image detection	Motion detection (Select 3 Regions - each area)
Sensor detection	Sensor In, Scheduling, Alarm out
Local Storage	SD/SDHC Card Memory : Max. 32GByte (Class 4 or Higher)
After Event process	JPEG Image upload over FTP server / JPEG Image or Notification Message Upload over SMTP (E-mail server)
Pre/Post alarm	Detail time-set : Max. Pre alarm 5sec. / Post alarm 8sec., Storage (SD card : JPEG Image, H.264 Movie file)
[APPLICATIONS]	
Browser	Internet Explorer 6.0 or Higher
Mobile App.	XNET NVR 2, and Utility (IP-Installer)
[MAINTENANCE]	
System Upgrade	Firmware upgrade over HTTP
[MECHANICAL]	
Standard PoE	Standard IEEE 802.3af supported
Power	12VDC Max. 8W / 24VAC Max. 670mA
Dimensions	109.4(W) x 122.4(H) x 343.5(D)mm
Operating Temperature	-20°C ~ 50°C
Weight	1.45kg

FEATURES

- Full HD IP Mega-pixel TDN IR Bullet Camera
- 1/3" Progressive scan CMOS Sensor
- Built-in Vari-focal Lens (f=3~9mm, F1.2)
- Max. Full HD(1920x1080) Real time Video
- TDN(ICR), DSS, WDR
- Built-in IR LEDs (36EA) & Sensor 1EA
- 2.0 Mega-Pixel Resolution up to 30 Frames/sec
- Ultimate High Resolution 1100TV Lines
- Dual Stream H.264/MJPEG
- Support Two-way Audio (ADPCM)
- Support SD/SDHC , IP66
- Ethernet 10/100 Base-T (PoE)
- Built-in Heater, IP66
- 24VAC/12DC Dual Voltage

DIMENSIONS



XNET Main Feature



Full HD (2.0 MEGA Pixel) Image

XNET IP products provide real time streaming at 1080P(1920 x 1080) Full HD resolution and 720P even Different HD resolution over IP. Much bigger resolution image provides several Cropped streaming image by digital zoom.



Progressive Scan and De-interlaced Image Processing Technology

XNET progressive scan type IP cameras provide much higher quality for clear monitoring than interlaced scan type.



Dynamic Dual Stream

XNET IP products provide triple codec with selectable dual streaming for multi-clients. High quality of H.264 and MJPEG both video streaming can be provided to the multi clients simultaneously.



Multiple Event Trigger

XNET IP products series includes a physical type alarm & sensor event functions and logical event type to define event setting on screen display or integrate any kind of event action easily on the network environment.



Storage Over IP

To avoid unpredictable network disconnection or lagging, XNET IP products provide local storages from a primary internal flash memory type to an removable SD card type memory to store JPEG image with main H.264 and MJPEG streaming via network simultaneously.



Built-in PoE (Power over Ethernet - Standard IEEE 802.3af)

The built-in PoE feature provides much easier connection and installation with cost saving on network environment also efficient maintenance. XNET IP products are standard IEEE 802.3af supported.



Plug & Easy Play over IP

XNET supports plug and play with wizard installer. Auto system configuration and Easily user setup by XNET applications.

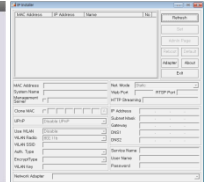
- Simple installation for network and systems setup
- Simultaneous system setup
- Support UPnP, Bonjour for easy installation



Web Viewer



Setup page



IP Installer

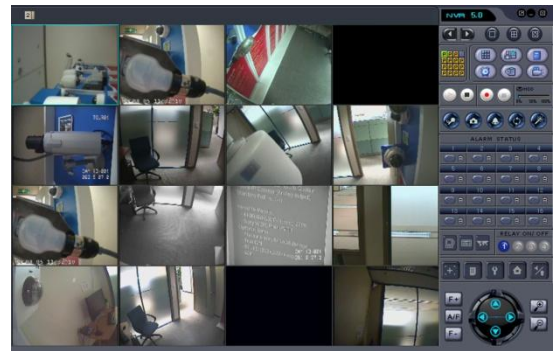


CNB CMS software

CNB CMS is compatible with all of CNB digital surveillance video products from HDx DVR series to XNET IP products for flexible and efficient surveillance monitoring environment CCTV system.

Main Features

- Max. 128Channel *)Dual Monitor
- Remote search and Local search
- Remote setup and Local setup
- Motion/Sensor/Alarm Event Trigger
- Support E-Map (Same DVR systems UI)
- Support 1024*768, 1280*1024 resolution and Full Screen
- Bi-directional Audio communication
 - *) Two-way Audio / support model
- Support Dual Monitor (E-map, Search etc...)
- Support PC DVR 'V3' series
- Standalone DVR (SDx series, HDx series) XNET IP product



XNET APP (XNET Alliance Partner Program)

CNB XNET Products support Open-API for partners. Supplying a dynamic SDK based on API for various IP security environment.

Join hands with XNET Alliance Partner Program, you can make a stable and strong IP security environment with improving your CMS and NVR.

[SDK Package Items]

- Sample Program and System Library for debug
- Release Mode Sample Method
- Documentation for SDK
- Sample Header File
- Library (debug/release)
- Sample Source Code (by Visual Studio ver. 2005)