

GV-CB120 1.3MP H.264 Cube IP Camera



- 1/2.5" Progressive Scan CMOS
 - Dual streams from H.264 and MJPEG
 - Up to 30 fps at 1280 x 1024
 - Day and night function (electronic)
 - Two-way Audio
 - Built-in micro SD card slot (SD/SDHC) for local storage
 - Wide Dynamic Range (WDR)
 - 2D noise reduction
 - Defog
 - Motion detection
 - Tampering alarm
 - Privacy mask
 - IP address filtering
 - Megapixel lens
 - Supports iPhone, iPad, Android & 3GPP
 - 31 languages on Web interface
 - ONVIF (Profile S) conformant
- * No Memory Card Slot & local storage function for Argentina.

Active Tampering Alarm

Tampered



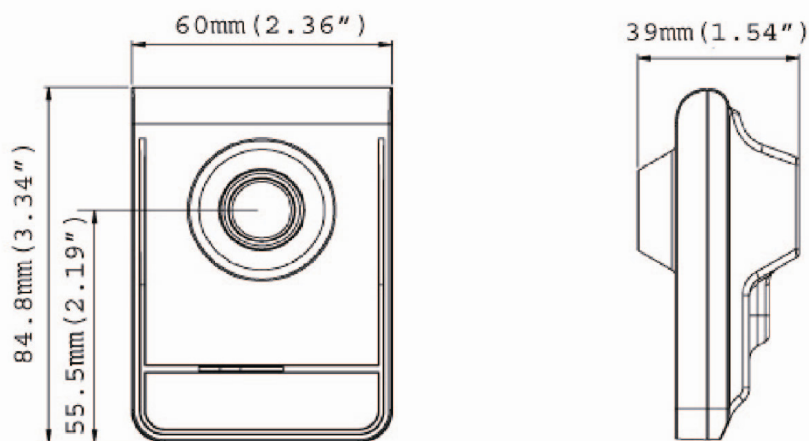
Focus Change



Camera Shift



Dimensions



Specifications

Camera		
Image Sensor	1/2.5" progressive scan CMOS	
Picture Elements	1280 (H) x 1024 (V)	
Minimum Illumination	Color	0.15 Lux
	B/W	0.10 Lux
Shutter Speed	Automatic, Manual (1/5 ~ 1/8000 sec.)	
White Balance	Automatic, Manual (2800K ~ 8500K)	
Gain Control	Automatic	
S/N Ratio	45 dB	
BLC	Yes	
Lens		
Megapixel	Yes	
Day/Night	Yes (electronic)	
Lens Type	Fixed	
Focal Length	3.35 mm	
Max Aperture	F/2.4	
Mount	M12 mm	
Image Format	1/3"	
Horizontal FOV	67°	
Operation	Focus	Fixed
	Zoom	
	Iris	
Operation		
Video Compression	H.264, MJPEG	
Video Stream	Dual streams from H.264 and MJPEG	
Frame Rate	30 fps at 1280 x 1024 * The frame rate and the performance may vary depending on the number of connections and data bitrates (different scenes).	
Image Setting	Brightness, Contrast, Saturation, Sharpness, Gamma, White Balance, Flicker-less, Image Orientation, Shutter Speed, Backlight Compensation, Denoise, Metering	
Audio Compression	G.711, AAC (optional)	
Audio Support	Two-Way Audio	
Video Resolution		
Main Stream	4:3	1280 x 960, 640 x 480, 320 x 240
	16:9	1280 x 720, 640 x 360, 448 x 252
	5:4	1280 x 1024, 640 x 512, 320 x 256
Sub Stream	4:3	640 x 480, 320 x 240
	16:9	640 x 360, 448 x 252
	5:4	640 x 512, 320 x 256
Network		
Interface	10/100 Ethernet	
Ethernet Protocol	HTTP, HTTPS, TCP, UDP, SMTP, FTP, DHCP, NTP, UPnP, DynDNS, 3GPP/ISMA, RTSP, PSIA, SNMP, QoS (DSCP), ONVIF (Profile S)	
Mechanical		
Temperature Detector	No	
Connectors	Power	DC Jack
	Ethernet	Ethernet (10/100 Base-T), RJ-45
	Audio	Built-in speaker & microphone
Local Storage	Micro SD card slot (SD/SDHC, SD version 2.0 only, Class 10) *SDXC and UHS-I card types are not supported.	
	LED Indicator	2 LEDs: Status, LAN
General		
Environment Temperature	0 °C ~ 50 °C (32 °F ~ 122 °F)	
Humidity	10% to 90% (no condensation)	
Power Source	5V	
Max. Power Consumption	3.2 W	
Dimensions	60 x 84.8 x 39 mm (2.36 x 3.34 x 1.54")	
Weight	80 g (0.18 lb)	
Regulatory	CE, FCC, RCM, RoHS compliant	

Web Interface	
Installation Management	Web-based configuration
Maintenance	Firmware upgrade through Web Browser or Utility
Access from Web Browser	Camera Live View, Video Recording, Change Video Quality, Bandwidth Control, Image Snapshot, Audio, Picture in Picture, Picture and Picture, Privacy Mask, Tampering Alarm, Text Overlay, Digital PTZ
Language	Arabic / Bulgarian / Czech / Danish / Dutch / English / Finnish / French / German / Greek / Hebrew / Hungarian / Indonesian / Italian / Japanese / Lithuanian / Norwegian / Persian / Polish / Portuguese / Romanian / Russian / Serbian / Simplified Chinese / Slovakian / Slovenian / Spanish / Swedish / Thai / Traditional Chinese / Turkish
Applications	
Network Storage	GV-NVR, GV-System, GV-Backup Center, GV-Recording Server
Smart Device Access	GV-Eye for iOS and Android
Live Viewing	IE, mobile phone
CMS Server support	GV-Control Center, GV-Center V2, GV-VSM

Note:

1. Specifications are subject to change without notice.
2. Mind the following when using an inserted memory card for recording:
 - Recorded data on the memory card can be damaged or lost if the data are accessed while the camera is under physical shock, power interruption, memory card detachment or when the memory card reaches the end of its lifespan. No guarantee is provided for such causes.
 - To avoid power outage, it is highly suggested to apply a battery backup (UPS).
 - For better performance, it is highly suggested to use Micro SD card of MLC NAND flash, Class 10.
 - Replace the memory card when its read/write speed is lower than 6 MB/s or when the memory card is frequently undetected by the camera.

Packing List

- | | |
|---------------------|-------------------------------------|
| 1. Cube Camera | 6. GV-IPCAM H.264 Quick Start Guide |
| 2. Supporting Rack | 7. GV-IPCAM H.264 Software CD |
| 3. Screw x 3 | 8. GV-NVR Quick Start Guide |
| 4. Screw Anchor x 3 | 9. GV-NVR Software DVD |
| 5. Power Adapter | |

Note: The power adapter can be excluded upon request.

Accessories

Name	Details
Power Adapter	Power adapters are available in 4 regions: U.S.A., Australia, U.K and Europe.