

Vari-Focal (2.5-6mm)

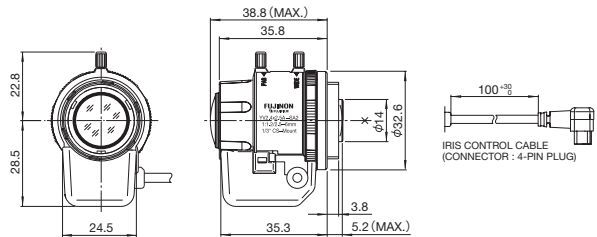
YV2.4x2.5A-SA2

2.4x Applicable camera (mode) 1 2/3 1/2 1/3 1/4 For Security



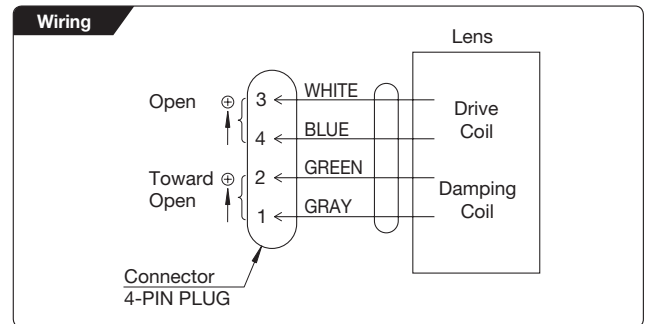
* Photograph is a similar model.

Vari-Focal	Wide Angle	DC Auto Iris	CS Mount	Metal Mount	ND Filter	Long Cable	Aspherical Lens	Large Aperture Ratio	RoHS Compliant
VARI	WIDE	DC	CS-mt	METAL	ND	230	AT	F1.2	RoHS



Unit : mm

YV2.4x2.5A-SA2			
Focal Length (mm)		2.5 - 6(2.4x)	
Iris Range		F1.2 - T360(Equivalent to F360)	
Operation	Zoom	Manual	
	Focus	Manual	
	Iris	Auto (DC type)* ¹	
Angle Of View (H×V)	1/3"	WIDE	110°00' × 80°58'
		TELE	46°11' × 34°34'
	1/4"	WIDE	80°58' × 60°80'
		TELE	34°34' × 25°54'
Focusing Range (From Front Of The Lens) (m)		∞ - 0.3	
Object Dimensions at M.O.D. (H×V) (mm)	1/3"	WIDE	880 × 525
		TELE	262 × 191
	1/4"	WIDE	525 × 356
		TELE	191 × 141
Back Focal Distance (in air) (mm)		7.51	
Exit Pupil Position (From Image Plane) (mm)		104	
Filter Thread (mm)		-	
Mount		CS	
Mass (g)		45	
Coil Resistance		Drive Coil 190Ω Damping Coil 500Ω	
Current Consumption		23mA(Max.) at DC 4V	
Remarks		<ul style="list-style-type: none"> •With Metal Mount (*1) The iris automatically closes when the camera is turned off. YV2.4x2.5A-2 : Manual Iris Type YV2.4x2.5A-SA2L : Long Cable Type(230mm) 	



[Lens Image]

