

SNC-WDL2137M

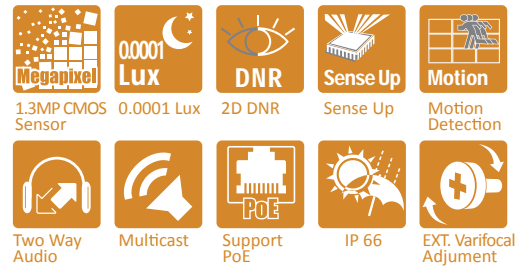
- 1 / 3" Sony 1.3 Megapixel Progressive Exmor™ CMOS Sensor
- 1280x1024@30fps (SXGA) ; H.264 High Profile, MPEG4, M-JPEG
- 0.0001Lux (IR LEDs on at 2 Lux)
- 2D Noise Reduction & Sense Up
- Motion Detection & Alarm Trigger
- Two-way Audio & Support Multicast
- Built-in Aspherical D/N Lens (f3.3~10mm)
- Support 12Vdc / PoE Power Input
- Support ONVIF 2.0 and PSIA



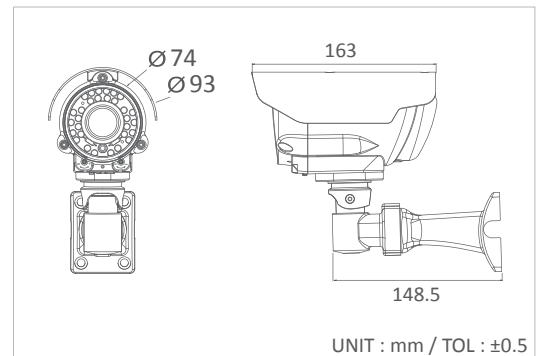
Specifications

Video	Image Sensor	1 / 3" Sony 1.3 Megapixel Progressive Exmor™ CMOS Sensor	
	Video Resolution/Frame Rate	1280x1024@30fps (SXGA) ; 1280x960@30fps, 1280x720@30fps, 720x480@30fps	
	Video Frame Rate	Up to 30fps for All Video	
	Video Compression	H.264 High Profile, MPEG4, M-JPEG	
	Minimum Illumination	0.0001Lux (IR LEDs on at 2 Lux)	
	Digital Wide Dynamic Range	10 Levels (Adjustable Level Settings)	
	Second Video Output	1.0Vp-p Composite, 75Ω (BNC)	
	Signal to Noise Ratio	More than 52dB (AGC off)	
	Mechanical IR Cut Filter	Automatically Switches (B/W Mode<2Lux, Color Mode>5Lux)	
	IR LED ; Working Distance	30 units (IR LEDs on<2Lux, IR LEDs off>5Lux) ; 20~30m	
	Function	Menu	Can Be Set Via Browser
		Day&Night Mode	Color / B&W / Auto / External
Auto Electronic Shutter		1/100,000 to 1/2 sec.	
Manual Electronic Shutter		1/2, 1/4, 1/8, 1/15, 1/30, 1/60, 1/120, 1/250, 1/500, 1/750, 1/1,000, 1/1,500, 1/2,000, 1/10,000, 1/100,000 sec.	
White Balance		Auto_wide / Auto_normal / Sunny / Shadow / Indoor / Lamp / FL1 / FL2	
DNR ; Sense Up		2D DNR ; Yes	
Language		English / Japanese / Chinese (Traditional, Simplified) / Russian / Hungarian / German / Persian / Spanish / Polish / Dutch	
Image Setting		Brightness / Contrast / Saturation / Sharpness / DeNoise / EV Compensation / AWB / WDR / Rotation / Exposure Mode / Exposure Priority / Auto IRIS / Wide Dynamic Range	
Motion Detection		Yes	
Timer Clock		Yes	
Camera Control Interface		Pelco D, Pelco P, Customer	
Network		Browser	IE 8.0 or Above
		Ethernet	10/100M Auto Negotiation
		Bit Rate Transmission	64 up to 12,000 Kbps
		Supported Protocols	TCP, UDP, HTTP, SMTP, FTP, NTP, DNS, DHCP, PPPoE, ARP, UPnP, RTSP, RTP, SNMP, TRAP, Ethernet (RJ-45 Wired 10/100 Base-TX)
	Video Streaming	H.264, MPEG4 and M-JPEG Dual/Triple Streaming	
	Audio Streaming	Two-way Audio ; G.711 (μLaw), 8KHz/16KHz Sample Rate	
	Users	Support 9 Users	
	Security	ID/Password Protection	
	Alarm Trigger	File Upload via FTP and Email/Notification via Email, HTTP, External Digital Output Activation, micro SD Recording	
	Multicast	Support Multicast Function	
General	Connector	Audio, RJ45/PoE, Power, BNC, Reset, RS485, Option: Micro SD Slot	
	Alarm In / Alarm Out	DI/DO	
	Automatic IRIS ; Connector	DC	
	Lens Mount	Built-in DC Auto IRIS Lens	
	Lens, Angle of View (H)	f3.3~10mm/F1.3 Aspherical Megapixel Varifocal D/N Lens/95.6°~28.8°	
	Water Resistance	IP66	
	Max. Breaking Strength	NA	
	Power Supply ; Consumption	12Vdc / PoE (Only Work with Full Power PoE Switch, 15W/CH) ; 9W	
	Operation ; Storage Temp.	-10°C ~ 50°C ; -20°C ~ 60°C	
	Operation ; Storage Humidity	Maximum: RH80% ; RH90%	
Dimensions	93(DIA)x163(D)mm		
Net Weight	1,000g		
Accessories Option	Pole Bracket:SG-90		

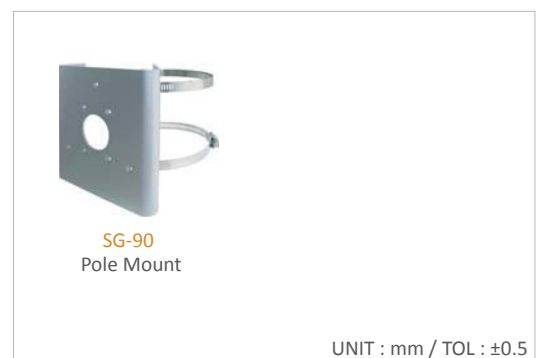
Mechanical IR Cut Filter (ICR)
3-axis Cable Management



Dimensions



Option



*Specifications are unfixed and do not apply to customized projects. 130605