

SHANY

3.0 Megapixel WDR IP Bullet Camera SNC-WDL23043MX

Preliminary

- 1/2.8" Sony 3.0 Megapixel Progressive Exmor™ CMOS Sensor
- 2048x1536@20fps (QXGA) ; H.264, MPEG4, M-JPEG
- Color:0.1Lux@F1.2, B/W:0.01Lux@F1.2, IR ON:0Lux@F1.2
- 2D Noise Reduction ; Sense up:0.001Lux@F1.2
- Motion Detection
- Two-way Audio & Multicast Support
- Support Micro SD/SDHC Card
- Support 12Vdc / PoE Power Input
- Support ONVIF Profile S

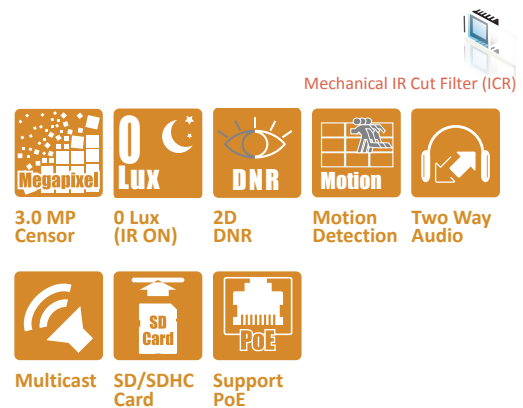
Wide
Dynamic



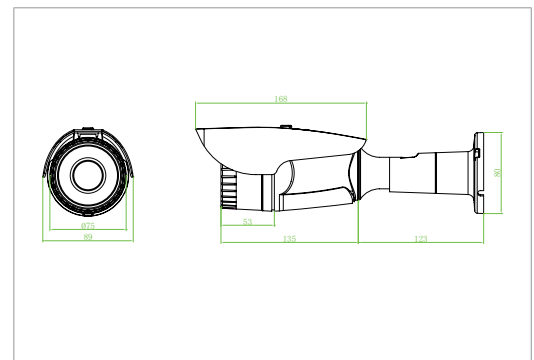
Specifications

| | | | |
|----------------------------|------------------------------|---|--------------------------------|
| Video | Image Sensor | 1 / 2.8" Sony 3.0 Megapixel Progressive Exmor™ CMOS Sensor | |
| | Video Resolution/Frame Rate | 2048x1536@20fps (QXGA),1920x1080@30fps, 1280x1024@30fps,1280x960@30fps, 1280x720@30fps, 720x480@30fps | |
| | Video Frame Rate | Up to 30fps for All Video | |
| | Video Compression | H.264, MPEG4, M-JPEG | |
| | Minimum Illumination | Color:0.1Lux@F1.2, B/W:0Lux@F1.2, IR ON:0Lux | |
| | WDR/HDR | Yes | |
| | Second Video Output | 1.0Vp-p Composite, 75Ω (BNC) | |
| | Signal to Noise Ratio | More than 52dB (AGC off) | |
| | Mechanical IR Cut Filter | Automatically Switches (B/W Mode<2Lux, Color Mode>5Lux); External 30 units, 20~30m | |
| | IR LED ; Working Distance | 30 units, 20~30m | |
| | Function | Menu | Can Be Set Via Browser |
| Day&Night Mode | | Color / B&W / Auto / External | |
| Auto Electronic Shutter | | 1/100,000 to 1/2 sec. | |
| Manual Electronic Shutter | | 1/2, 1/4, 1/8, 1/15, 1/30, 1/60, 1/120, 1/250, 1/500, 1/750, 1/1,000, 1/1,500, 1/2,000, 1/10,000, 1/100,000 sec. | |
| White Balance | | Auto_wide / Auto_normal / Sunny / Shadow / Indoor / Lamp / FL1 / FL2 | |
| DNR ; Sense Up | | 2D DNR ; Yes | |
| Language | | English / Japanese / Chinese (Traditional, Simplified) / Russian / Hungarian / German / Persian / Spanish / Polish / Dutch | |
| Image Setting | | Brightness / Contrast / Saturation / Sharpness / DeNoise / EV Compensation / AWB / WDR / Rotation / Exposure Mode / Exposure Priority / Auto IRIS / BLC / ROI | |
| Integrated Video Detection | | Motion Detection | |
| Timer Clock | | Yes | |
| Camera Control Interface | | Pelco D, Pelco P, Customer | |
| Network | | Browser | IE 8.0 or Above |
| | | Ethernet | 10/100M/1000M Auto Negotiation |
| | Bit Rate Transmission | 64 up to 12,000 Kbps | |
| | Supported Protocols | TCP IP, UDP, HTTP, SMTP, FTP, NTP, DNS, DHCP, PPPoE, ARP, UPnP, RTSP, RTP, SNMP, TRAP, Ethernet (RJ-45 Wired 10/100/1000M Base-TX) | |
| | Video Streaming | H.264, MPEG4 and M-JPEG Dual/Triple Streaming | |
| | Audio Streaming | Two-way Audio ; G.711 (μLaw), 8KHz/16KHz Sample Rate | |
| | Users | Support 9 Users | |
| | Security | ID/Password Protection | |
| | Alarm Trigger | File Upload via FTP and Email/Notification via Email, HTTP, External Digital Output Activation, micro SD Recording | |
| | Multicast | Support Multicast Function | |
| General | Connector | Audio, RJ45/PoE, DC Power, BNC, Reset Button, DI/DO/RS485, Micro SD Slot, Mini USB Slot | |
| | Automatic IRIS ; Connector | DC | |
| | Lens Mount | Built-in DC Auto IRIS Lens | |
| | Lens, Angle of View (H) | f3.0~10mm/Option:f2.8~12mm(Motorized Lens) | |
| | Water Resistance | IP66 | |
| | Max. Breaking Strength | --- | |
| | Power Supply ; Consumption | 12Vdc / PoE ; 4W | |
| | Operation ; Storage Temp. | -10°C ~ 50°C ; -20°C ~ 60°C | |
| | Operation ; Storage Humidity | Maximum: RH80% ; RH90% | |
| | Dimensions | 89(DIA)x168(D)mm | |
| | Net Weight | 700g | |
| Accessories Option | --- | | |

*Specifications are unfixed and do not apply to customized projects. 13S1 140512

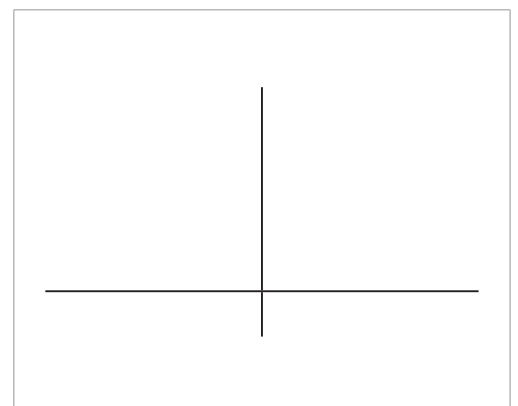


Dimensions



Options

UNIT : mm / TOL : ±0.5



ONVIF