

# EXHC000G

## EX-PROOF HOUSING FOR THERMAL CAMERAS



### MAIN FEATURES

Certifications Ex d for use in Zone 1 and 2, Group IIC (Gas), and in Zone Ex tb 21 and 22 (Dust)

Solid anticorrosive aluminium construction

Epoxy polyester powder painting, RAL7032 color

Germanium window

IP66

2 holes for cable glands 3/4" NPT

Supplied with heater. Sunshield as option.

Environment temperature: from -20°C (-4°F) up to +50°C (122°F)

### DESCRIPTION

The EXHC000G housing is made with strong anticorrosive aluminium die-cast alloy of the AISi 7Mg EN - AB 42000 group.

The germanium viewing window is designed for thermal imaging camera installations. Its composition with the remarkable properties covers transmission from 7.5 to 14µm IR range with the best optical quality. All external components are stove enamelled.

The cylindrical body of the housing (210mm diameter and 400mm length) is closed on opposite sides by two 12mm thick flanges. The Germanium window, 12mm thick, offers a viewing window of 114mm diameter. The housing is supplied with two holes for the 3/4" NPT cable glands. The camera housing is equipped with an internal housing heater and an optional sunshield.



HOUSING EXHC000G + SUNSHIELD EXHS000 + BRACKET EXWBJ

## TECHNICAL DATA

### GENERAL

Non-corrosive die-cast aluminium (anticorrosive)  
Epoxy powder painted with orange peel effect, RAL7032

### MECHANICAL

2 inputs 3/4" NPT for cable glands  
External dimensions: 210x427.5mm (8.3x16.8in)  
Internal dimensions: 180x380mm (7.1x15in)  
Internal usable area: 100x100x280mm (3.9x3.9x11in)  
Unit weight: 15kg (33.5lb)

### HOUSING'S WINDOW

Germanium window

- Usable diameter: 114mm (4.5in)
- Thick: 12mm (0.47in)
- External treatment: antiscratch (Hard Carbon Coating - DLC), antireflection
- Internal treatment: antireflection
- Spectral range: from 7.5µm up to 14µm
- Medium transmittance (from 7.5µm up to 11.5µm): 86.6%
- Medium transmittance (from 11.5µm up to 14µm): 67.8%

### ELECTRICAL

Power supply IN 24Vac, 50/60Hz  
Heater Ton 10°C±4°C (50°F±7°F) Toff 25°C±3°C (77°F±5°F)

- IN 24Vac, power consumption 20W max

Devices to install inside the housing:

- Camera equipped with lens with max total power of 20W
- Voltage 24Vac max
- Useful volume for camera / lens: 2800cm<sup>3</sup>
- Minimum distance between the walls of the housing and the camera/lens: 12mm

### ENVIRONMENT

For installation indoors and outdoors  
Operating temperature with heating: from -20°C (-4°F) up to +50°C (122°F)  
*Always refer to the temperature in the marking.*

### CERTIFICATIONS

ATEX (EN 60079-0: 2009, EN 60079-1: 2007, EN 60079-31: 2009):

- ⊕ II 2G Ex d IIC T6 Gb
- ⊕ II 2D Ex t IIIC T85 °C Db IP66
- Ⓢ 0044: notify number from competent body

EAC EX:

- Ex II 2G Ex d IIC T6 Gb, -20°C/+50°C
- EX II 2D Ex t IIIC T85°C Db -20°C/+50°C, IP66

### ACCESSORIES

EXHS000	Sunshield 650mm for EXH series
OEXPLUG3/4	Plug EX 3/4" NPT IECEX-ATEX-EAC Ex
OCTEXP3/4C	Conduit cable gland nickel-plated brass 3/4" NPT IECEX-ATEX-EAC Ex
OCTEX1/2-3/4C	Cable glands reduction in nickel-plated brass 3/4" - 1/2" NPT IECEX-ATEX-EAC Ex
OCTEXS1/2C	Cable gland in nickel-plated brass EX 1/2" NPT, unarmoured cable IECEX-ATEX-EAC Ex, with gasket from 7.5 to 11.9mm (3 to 4.7in)
OCTEX1/2C	Cable gland in nickel-plated brass EX 1/2" NPT, unarmoured cable IECEX-ATEX-EAC Ex, with gasket from 3 to 8mm (0.12 to 0.31in)
OCTEXB1/2C	Barrier cable gland in nickel-plated brass EX 1/2" NPT, unarmoured cable IECEX-ATEX-EAC Ex
OCTEXA3/4	Cable gland in nickel-plated brass with gasket EX 3/4" NPT, armoured cable ATEX
OCTEX3/4	Cable gland in nickel-plated brass with gasket EX 3/4" NPT, unarmoured cable ATEX
OCTEXBA3/4C	Barrier cable gland in nickel-plated brass 3/4" NPT, armoured cable IECEX-ATEX-EAC Ex
OCTEXB3/4C	Barrier cable gland in nickel-plated brass 3/4" NPT, unarmoured cable IECEX-ATEX-EAC Ex
OCTEXA3/4C	Cable gland in nickel-plated brass with gasket EX 3/4" NPT, armoured cable IECEX-ATEX-EAC Ex
OCTEX3/4C	Cable gland with gasket EX 3/4" NPT, unarmoured cable IECEX-ATEX-EAC Ex

### SPARE PARTS

OSLIEX Internal slide complete with heater for EXHC and EXPTC series

### BRACKETS AND ADAPTORS

EXWBJ000 Bracket and ball joint RAL7032 for EXH series  
EXBJ000 Only ball joint for EXH RAL7032 housings

### PACKAGE

Model Number	Weight	Dimensions (WxHxL)	Master carton
EXHC000G	17.5kg (39lb)	61x32x31cm (24x12.6x12.2in)	-

### 1/2" NPT CABLE GLAND SELECTION GUIDE

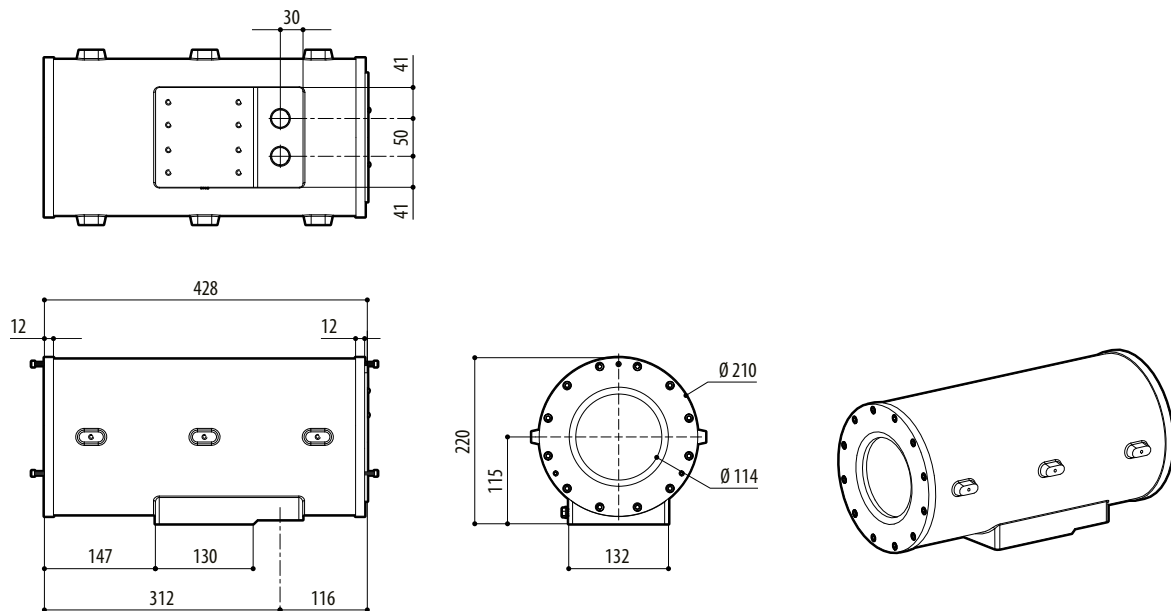
Zone, Gas	Cable gland type	Certification	Operating temperature	Cable	Cable glands product code	Diameter of the external cable (mm)
IIC, Zone 1 or Zone 2 IIB or IIA, Zone 1	Barrier	IECEX/ATEX/EAC Ex	-60°C / +80°C (-76°F / +176°F)	Not armoured	OCTEXB1/2C	3 - 8
IIB or IIA, Zone 2	With gasket	IECEX/ATEX/EAC Ex	-60°C / +100°C (-76°F / +212°F)	Not armoured	OCTEX1/2C	3 - 8
				Not armoured	OCTEXS1/2C	7.5 - 11.9

### 3/4" NPT CABLE GLAND SELECTION GUIDE

Zone, Gas	Cable gland type	Certification	Operating temperature	Cable	Cable glands product code	Diameter of the external cable (mm)	Under armor cable diameter (mm)
IIC, Zone 1 or Zone 2 IIB or IIA, Zone 1	Barrier	IECEX/ATEX/EAC Ex	-60°C / +80°C (-76°F / +176°F)	Not armoured	OCTEXB3/4C	13 - 20.2	–
				Armoured	OCTEXBA3/4C	16.9 - 26	–
IIB or IIA, Zone 2	With gasket	IECEX/ATEX/EAC Ex	-60°C / +100°C (-76°F / +212°F)	Not armoured	OCTEX3/4C	13 - 20.2	–
				Armoured	OCTEXA3/4C	16.9 - 26	11.1 - 19.7
		ATEX	-20°C / +80°C (-4°F / +176°F)	Not armoured	OCTEX3/4	14 - 17	–
				Armoured	OCTEXA3/4	18 - 23	14 - 17

### TECHNICAL DRAWINGS

The dimensions of the drawings are in millimetres.



EXHC000G