

# VERSO COMPACT

## COMPACT SIDE-OPENING POLYCARBONATE CAMERA HOUSING

### MAIN FEATURES

IP66/IP67 (with cable glands or optional sealing rings)  
 Vandal-proof protection (IK10)  
 Pre-arranged for internal cable management bracket  
 Available accessories: heater, camera power supply, fan assisted heater

### DESCRIPTION

Sturdy, tamper-proof housing designed to simplify installation and service and guarantee total protection against all environmental conditions. Entirely constructed from technopolymer, it guarantees high impact resistance and high weather protection from external agents and UV rays. A wide range of accessories for mounting the equipment is available thereby satisfying all installation needs. The housing proposes various mounting options, wall or ceiling brackets, feedthrough and non-feedthrough, or Pan & Tilt head.



VERSO COMPACT



VERSO COMPACT + CAMERA



VERSO COMPACT + WBOVA2



VERSO COMPACT + WBJA

### AVAILABLE MODELS

Model Number	Sunshield	Heater 120/230Vac	Heater 12Vdc/24Vac	Heater 24Vac fan assisted	Max consumption
HPV36D0A000B	–	–	–	–	–
HPV36K0A000B	✓	–	–	–	–
HPV36K1A000B	✓	✓	–	–	40W
HPV36K2A000B	✓	–	✓	–	20W
HPV36K2A015B	✓	–	–	✓	24W

## TECHNICAL DATA

### GENERAL

Made of strong technopolymer (polycarbonate)  
Sunshield in ABS  
RAL9002 Colour  
Stainless steel external screws

### MECHANICAL

Cable glands: 2xM16  
Polycarbonate window (WxH): 98x55mm (3.9x2.2in)  
Internal usable area (WxH): 63x63mm (2.5x2.5in)  
Internal usable length (with or without accessories): 210mm (8.3in)  
Unit weight: 1.1kg (2.2lb)

### ELECTRICAL

Supply voltage/Current consumption (empty version):

- From 12Vdc up to 24Vdc, 1A max
- From 12Vac up to 24Vac, 1A max, 50/60Hz
- From 120Vac up to 230Vac, 400mA max, 50/60Hz

Supply voltage/Current consumption (version with heater, Ton 15°C±3°C (59°F±5°F), Toff 22°C±3°C (72°F±5°F)):

- From 12Vdc up to 24Vdc, 5A max
- From 12Vac up to 24Vac, 5A max, 50/60Hz
- From 120Vac up to 230Vac, 700mA max, 50/60Hz

Supply voltage/Current consumption (version with heater fan assistant, continuous duty):

- 12Vdc, 400mA max
- 24Vac, 200mA max, 50/60Hz
- From 100Vac up to 240Vac, 40mA max, 50/60Hz (with wide-range power supply)

Camera power supply:

- IN 100-240Vac, 50/60Hz - OUT 12Vdc, 1.25A
- IN 230Vac, 50Hz - OUT 24Vac, 50Hz, 400mA

### ENVIRONMENT

For installation indoors and outdoors

Operating temperature (with heater): from -20°C (-4°F) up to +60°C (140°F)

Chemical agents resistance

- High resistance: basics, alcohols, gas, hydrocarbon
- Good resistance: Organic acids, inorganic acids, oils
- Low resistance: Solvents

### CERTIFICATIONS

Electrical safety (CE): EN60950-1, IEC60950-1

Electromagnetic compatibility (CE): EN50130-4, EN61000-6-3, EN55022 Classe B

Outdoor installation (CE): EN60950-22, IEC 60950-22

IP protection degree: EN60529

- IP66 (with cable glands)
- IP66 (with bracket with internal cable channel, with sealing rings)

IK protection degree: EN62262, IK10

UL certification:

- cULus Listed, TYPE 4X
- UL94, V1 (fire-self extinguish)

EAC certification

### ACCESSORIES

OHEH26	Heater 120Vac/230Vac for HOV, HTV, VERSO, VERSO COMPACT housings
OHEH27	Heating 12Vdc/24Vac for HOV, HTV, HTC, VERSO and VERSO COMPACT housings
OHPVV1	Heater fan assistant, continuous duty, IN 12Vdc, for VERSO and VERSO COMPACT housings
OHPVV2	Heater fan assistant, continuous duty, IN 24Vac, for VERSO and VERSO COMPACT housings
OHPVV3	Heater fan assistant, continuous duty, IN 100-240Vac, for VERSO and VERSO COMPACT housings
OHEPS19B	Wide range camera power supply IN 100-240Vac - OUT 12Vdc, 1.25A, for VERSO, VERSO POLAR, VERSO COMPACT, HEG, HTG housings
OHEPS20	Camera power supply IN 230Vac - OUT 24Vac, 10VA, for VERSO, VERSO POLAR, VERSO COMPACT, HEG, HTG housings
OWBIP2	Sealing rings kit (3xM16) IP66/IP67 for WBOVA2 and WCM4A2 brackets for PUNTO, HOV, HTV, HTC, VERSO, VERSO POLAR, VERSO COMPACT, HEB, HEK housings
OHEGBB	Weatherproof junction box
OSUPPIR	Support for 1 GEKO IRH illuminator under the housing (Not compatible with WBOVA2 wall bracket)

### RELATED PRODUCTS

PTH300	Horizontal/vertical Pan & Tilt
--------	--------------------------------

### BRACKETS AND ADAPTORS

WBJA	Wall mount bracket
WBMA	Wall bracket with ball joint
WBOVA2	Wall bracket with internal cable channel
WBOV3A2	Wall bracket with internal cable channel, counterplate and support box, not compatible with OHEBVF1, OHEBVF2 and OHEBVF3
WCM3A	Ceiling bracket with ball joint
WCM5A	Ceiling bracket with ball joint
WCM4A2	Ceiling bracket with internal cable channel
WFWCA	Column bracket with joint

### SPARE PARTS

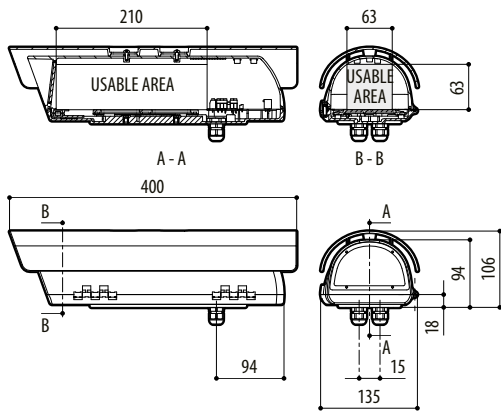
OHPVS36A000	Sunshield
DOTHPV02	Cable glands, screws and spacers for camera and lens

### PACKAGE

Model Number	Weight	Dimensions (WxHxL)	Master carton
HPV36K1A000B	1.4kg (3lb)	15.2X14X53cm (6x5.5x21in)	10

## TECHNICAL DRAWINGS

The dimensions of the drawings are in millimetres.



VERSO COMPACT