

# WASNX

## WASHER PUMP WITH SOLENOID VALVE FOR STAINLESS STEEL PRODUCTS

### MAIN FEATURES

Enclosure made of stainless steel AISI 316L

Delivery head: up to 20m (66ft)

Water tank capacity: 10l (2.6gal)

Suitable for Videotec products or with third-party products

Operating temperature: from -20°C (-4°F) up to +60°C (140°F)

Available voltages: 230Vac, 120Vac, 24Vac

### DESCRIPTION

The WASNX washer pump is an important element for effective video surveillance because it guarantees sharp images in all environmental conditions and reduces the need for maintenance.

The WASNX system is designed to operate in special environments such as marine, industrial, chemical and where the external conditions are highly corrosive.

It's compatible with third-party products.

The kit includes a stainless steel 10-litre tank with solenoid valve, controlled by a manual electrical contact.



WASNX



WASNX



WASNX

### WASNX - CONFIGURATION OPTIONS

	Voltage	Water tank capacity	Delivery head	
<b>WASNX</b>	<b>1V</b> 230Vac	<b>10L</b> 10l (2.6gal)	<b>20M</b> 20m (66ft)	<b>00</b>
	<b>2V</b> 24Vac			
	<b>3V</b> 120Vac			

## TECHNICAL DATA

### GENERAL

Enclosure made of stainless steel AISI 316L

Water delivery pipe supplied

- Length: 20m (66ft)

### MECHANICAL

Pressure: 4bar max

Delivery head: 20m (66ft)

Pipe material: Antistatic plastic

Water tank capacity: 10l (2.6gal)

Dimensions (WxHxL): 429x697x255mm (16.9x27.4x10in)

Unit weight: 18kg (40lb)

### ELECTRICAL

Supply voltage/Current consumption

- 230Vac, 0.07A, 50/60Hz
- 120Vac, 0.13A, 50/60Hz
- 24Vac, 0.7A, 50/60Hz

### ENVIRONMENT

For installation indoors and outdoors

Operating temperature of solenoid valve: from -20°C (-4°F) up to +60°C (140°F)

Operating temperature of device: depending on the solidification temperature of the liquid

### CERTIFICATIONS

Electrical safety (CE):

- EN60950-1

Electromagnetic compatibility (CE):

- EN61000-6-2, EN61000-6-3

Outdoor installation (CE):

- EN60950-22

IP protection degree:

- EN60529, IP65 (solenoid valve only, enclosure not rated)

### SPARE PARTS

OWEXTANK Pump in stainless steel, 10l (2.6gal)

OWEXTUB Water pipe, 20m (66ft)

### BRACKETS AND ADAPTORS

NXCOL AISI 316L stainless steel pole adapter module

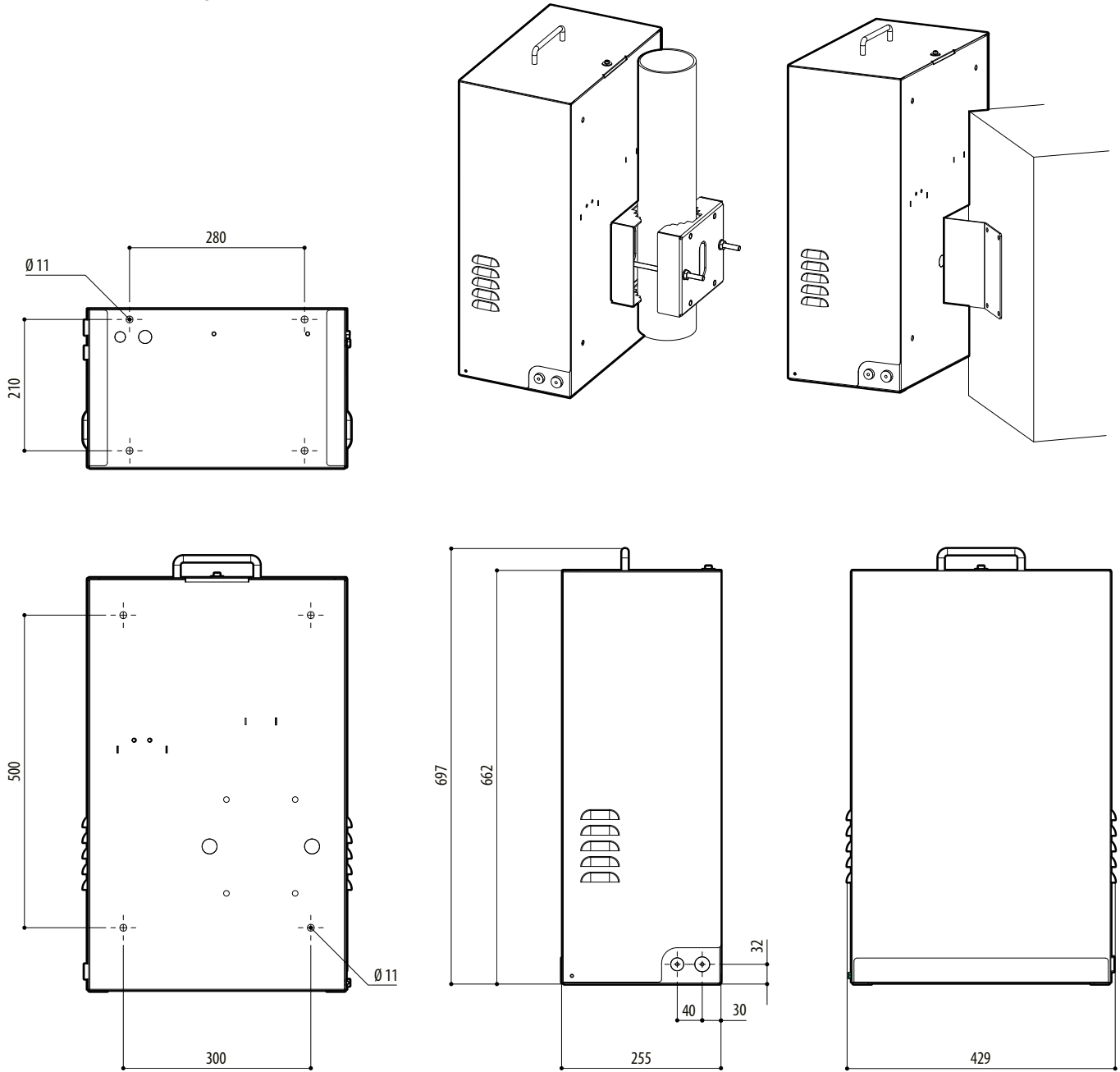
NXCW AISI 316L stainless steel corner adapter module

### PACKAGE

Model Number	Weight	Dimensions (WxHxL)	Master carton
WASNX1V10L20M00	20.3kg (44,7lb)	30x74x46cm (11.8x29.1x18.1in)	-
WASNX2V10L20M00	20.3kg (44,7lb)	30x74x46cm (11.8x29.1x18.1in)	-
WASNX3V10L20M00	20.3kg (44,7lb)	30x74x46cm (11.8x29.1x18.1in)	-

**TECHNICAL DRAWINGS**

The dimensions of the drawings are in millimetres.



WASNX

